

**Owner's Manual  
And  
Assembly Instructions**



**The Overlook**

**Model 1-AP021**

Rev. 01/04/05



# Adventure Playsets

Amarillo Texas 79119

●.....●  
**Thank you for purchasing an Adventure Playsets  
Playcenter. We hope it will bring you and your  
children many years of safe and enjoyable  
backyard fun.**

●.....●  
Table of Contents

Letter to Customer .....	1
Positioning Your Playcenter .....	2
Tools Required for Assembly .....	2
Helpful Installation Hints .....	3
Suggested Playground Surfacing .....	4
Operating Instructions .....	5
Maintenance Instructions .....	6
Disposal Instructions .....	6
CPSC Information Sheet .....	7
Assembly Instructions .....	8
Frequently Asked Questions .....	40
Customer Notes .....	41 - 42
Limited Warranty .....	43
Warranty Claim Procedure .....	44
Customer Registration Card .....	45

●.....●  
**Your owner's manual should be read carefully  
before starting assembly.**



Dear Customer:

Thank you for purchasing an Adventure Playsets Playcenter. We hope it will bring you and your children many years of safe and enjoyable backyard fun. Adventure Playsets equipment is recommended for use by **children 3 to 10 years of age**. Adventure Playsets structures are **not intended for public use**. **Adventure Playsets does not warranty any of its residential structures subjected to commercial use.**

Please follow all recommendations below. **Failure to do so may result in the warranty being void and/or safety violations that could result in serious injury.** The following information has been provided to help you in your installation, continued satisfaction, and safe operation of your Adventure Playsets purchase.

Always keep the safety of your children in mind as your play structure is being built and as your children play on the set. **Children must not use the Playcenter until completely assembled and properly installed and anchored to prevent serious injury.** Before your children play on the set please review the Operation Instructions with them to help ensure their safety.

**PLEASE RETAIN THESE INSTRUCTIONS FOR FUTURE REFERENCE. KEEP THEM IN A SAFE PLACE WHERE YOU CAN REFER TO THEM AS NEEDED.**

**General Information:**

<b><u>Manufacturer:</u></b> Adventure Playsets	<b><u>Vendor:</u></b> _____
14201 Interstate 27	_____
Amarillo, TX 79119	_____
Ph. #: 1-800-856-4445	_____
Fax: 806-622-1515	_____
E-mail <b><u>-custservice@adventureplaysets.com</u></b>	

**Unit Type:**

Unit Name: The Overlook                      Revision Date: 01/04/05  
Unit Model Number: 1-AP021  
Instruction Manual Information

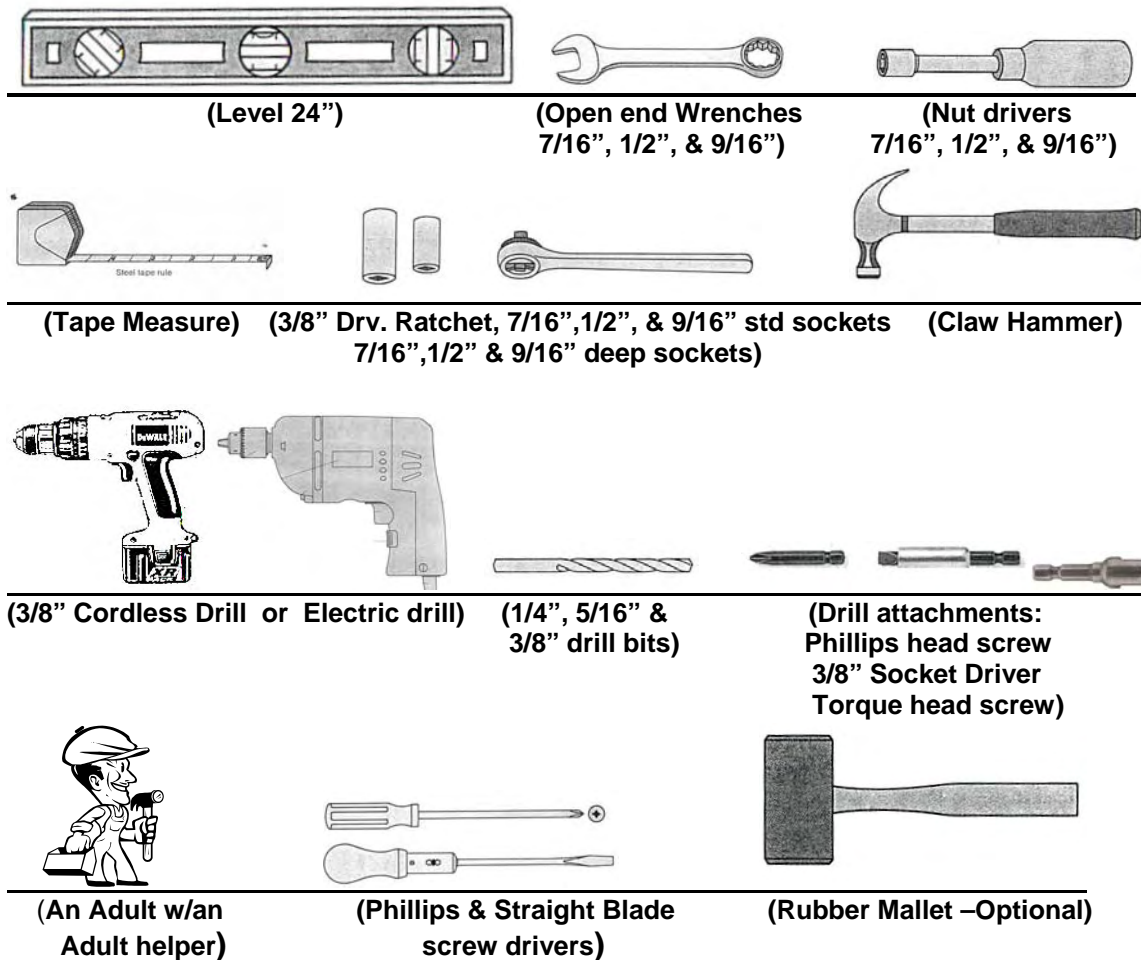
Maximum Fall Height:                      8'-0"

The instructions and owner's manual for your new Playcenter should be read in its entirety before assembly, to minimize problems and safety issues. We recommend reading the owner's manual thoroughly after you have identified all of the parts for your Playcenter as discussed in the Helpful Installations Hints section below.

## Positioning Your Play center:

1. The Playcenter is designed to be installed on a level surface **by an Adult with an Adult helper**. Try to place in a flat area of your yard to minimize ground preparation.
2. Place the equipment not less than 6 ft from any structure or obstruction such as a fence, garage, house, overhanging branches, laundry lines, or electrical wires.
3. It is a good idea to place your Playcenter in an area that is convenient for adults to watch children at play.
4. The area that you choose should be policed for glass, rocks or anything jagged or sharp that could endanger your children's safety. The surface underneath your play system can cause or prevent injuries. We have additional suggestions in the Suggested Playground Surfacing Section.
5. Do not build your playset on top of surfacing material.

## Tools Required for Installation:



## Helpful Installation Hints:

1. Depending on your experience, assembly of this Play set should take approximately 6 to 12 hours after inventory of parts. Therefore, we recommend you set aside a full day for assembly.
2. Identify all of the parts for your Playcenter. Empty each box and lay out boards so you can see each part. Your instruction book will have detailed drawings that will make it easy for you to recognize individual parts. Keep all hardware and metal parts separate from wooden pieces.
3. After everything is laid out, check carefully to ensure all parts are present. Make sure there are no broken boards.
4. Find an area to sort your hardware. It is best to open the hardware on a solid surface so that you do not lose any pieces in the grass. This will save time and familiarize you with all the different pieces in the hardware bag.
5. Important note: Wood has some natural defects such as knots, surface cracks, etc... We reject parts that are structurally defective. We use a high quality lumber in our structures; however, you should inspect each part for splinters or rough spots and sand them smooth to prevent injury.
6. After steps 1 thru 4 have been completed, read all the way through the instructions completely. Reading instructions after you have studied the parts will help you understand more clearly the installation process, and help to eliminate unnecessary mistakes.
7. Pay close attention to the diameter and length of each bolt and screw. There will be different sizes in the same bag, so they must be sorted correctly.
8. Swing hangers should be buried past the threads, so that the loop is against the swing beam. Adventure Playsets is not responsible for incorrect installations of swing hangers. Failure to properly install swing hangers may cause severe injury.
9. Never tighten hardware completely at first. It helps to have some adjustment for bolt alignment while you are attaching parts together. After everything is square, tighten each joint.
10. After the main unit is assembled it is critical that the floor is level and square. If the main frame is not level, the walls and floor will be out of square.
11. After you complete installation, make sure every bolt, screw, and nut is tight, and every board is secure. Wood will expand and contract with the seasons. Check all bolt connections and swing hangers every two weeks.
12. Place the set on level ground, not less than 6ft from any structure or obstruction such as a fence, garage, house, overhanging branches, laundry lines, or electrical wires.

## READ! VERY IMPORTANT!

If you are missing parts or have questions regarding the installation of our quality product PLEASE call us directly at the factory (1-800-856-4445). Our trained staff will be happy to assist you.

**Customer service hours:**  
**Monday thru Friday 9am to 5pm**  
**Saturday 9am to 2pm**  
**Central Standard Time.**

E-mail: [custservice@adventureplaysets.com](mailto:custservice@adventureplaysets.com)

### Suggested Playground Surfacing

- Playground equipment should never be placed on hard surfaces such as concrete or asphalt.
- Shredded bark mulch, wood chips, fine sand and fine gravel, are added as shock absorbing materials after assembly. If used properly these materials can absorb some of the impact of a child's fall.
- All surface material should extend a minimum of 6 feet in all directions around the play area.

**The following chart explains the fall height in feet from which a life threatening head injury would not be expected**

#### Critical Heights (in feet) of Tested Materials

Material	Uncompressed Depth			Compressed Depth to 9"
	6"	9"	12"	
Wood Chips	7'	10'	11'	10'
Double-Shredded bark mulch	6'	10'	11'	7'
Engineered Wood Fibers	6'	7'	>12'	6'
Fine Sand	5'	5'	9'	5'
Coarse Sand	5'	5'	6'	4'
Fine Gravel	5'	7'	10'	6'
Medium Gravel	5'	5'	6'	5'
Shredded Tires*	10'-12'	N/A	N/A	N/A

\*This data is from tests conducted by independent testing laboratories on a 6-inch depth of uncompressed shredded tire samples produced by four manufacturers. The tests reported critical heights, which varied from 10 feet to greater than 12 feet. It is recommended that persons seeking to install shredded tires as a protective surface request test data from the supplier showing the critical height of the material when it was tested in accordance with ASTM F1292.

This information is intended to assist you in comparing the relative shock absorbing properties of various materials. Each material is only effective when it is properly maintained at the proper depths determined necessary for your equipment.

## Operating Instructions:

NOTE: Your children's safety is our #1 concern. Observing the following statements and warnings reduces the likelihood of serious or fatal injury. Please review these safety rules regularly with your children.

1. This Playcenter is designed for the use of 3 occupants who have a combined weight not exceeding 280 pounds.
2. On-site adult supervision is **required**.
3. Instruct children **not** to walk close to, in front of, behind, or between moving swings or other moving playground equipment.
4. Instruct children to sit in and **never** stand on swings.
5. Instruct children **not** to twist the chains and ropes and not to loop them over the top support bar, since this may reduce the strength of the chain or rope.
6. Instruct children **not** to jump from swings or other playground equipment in motion.
7. Instruct children to **not push** empty seats. The seat may hit them and cause serious injury.
8. Instruct and teach children to sit in the center of the swings with their full weight on the seats.
9. Instruct children **not** to use the equipment in a manner other than intended.
10. Instruct children to **always** go down slides feet first. Never slide headfirst.
11. Instruct children to **look** before they slide to make sure no one is at the bottom.
12. Instruct children to **never** run up a slide, as this increases their chances of falling.
13. The parents should have the children **dress appropriately** with well-fitting shoes. Loose clothing such as scarves and ponchos should not be worn. Always take off, tie up or tuck in cords and drawstrings on children's clothing. These things can get caught on playground equipment and strangle a child.
14. Instruct children **not** to climb when the equipment is wet.
15. Instruct children to **never** jump from a fort deck. They should always use the ladder, ramp or slide.
16. Instruct children to **never** crawl or walk across the top of monkey bars.
17. Instruct children to **never** crawl on top of a fort roof.



18. Verify that any suspended climbing ropes, chain, or cable are secured at both ends and that they cannot be looped back on it.
19. Instruct children **not** to attach items to the playground equipment that are not specifically designed for use with the equipment, such as, but not limited to, jump ropes, clothesline, pet leashes, cables and chain as they may cause a strangulation hazard.
20. Instruct children to **never** use Monkey Bar when swings or glider are in use.
21. Instruct children to **never** wrap their legs around swing chain.

### **Maintenance Instructions:**

1. Check all nuts and bolts twice monthly during the usage season and tighten as required. (But not so tight that you crack the wood) We recommend you check the swing beam and hardware every two weeks due to wood expansion and contraction. It is particularly important that this procedure be followed at the beginning of each season.
2. Remove plastic swing seats and take indoors or do not use when the temperature drops below 32 °F.
3. Oil all metallic moving parts monthly during the usage period.
4. Check all coverings for bolts and sharp edges twice monthly during usage season to be certain they are in place. Replace when necessary. It is especially important to do this at the beginning of each new season.
5. Check swing seats, ropes, cables and chains monthly during usage season for evidence of deterioration. Replacement should be made of any swing seat that has developed cracks in the plastic seats or has exposed metal in the edges of the swing seat. If there are already exposed metal inserts on the edge of the seat, immediately remove the seats and chains to prevent serious injury. Ropes, cables and chains should be removed and replaced if excessive wear is found. Contact Adventure Playsets for replacement parts.
6. For rusted areas on metallic members such as monkey bars, hand supports, brackets, etc., sand and repaint, using a non lead-based paint meeting the requirements of Title 16 CRF Part 1303.
7. Inspect wood parts monthly. The grain of the wood sometimes will lift in the dry season causing splinters to appear. Light sanding may be necessary to maintain a safe playing environment. If you are treating your

Playcenter with stain regularly, it will help prevent severe checking/splitting and other weather damage.

8. We recommend treating the wood components once or twice a year depending on the type of weather you have and when sanding has been required to maintain a good surface. We treat our wood with a waterborne transparent stain.
9. Creating and maintaining the Playcenter on a level location is very important. As your children play, your Playcenter will slowly dig its way into the soil, and it is very important that it settles evenly. Make sure the play set is level and true once each year or at the beginning of each play season.

### **Disposal Instructions:**

When the Playcenter use is no longer desired, it should be disassembled and disposed of in such a way that no unreasonable hazards will exist at the time the unit is discarded.

## APPENDIX A

### *Information on Playground Surfacing Materials:*

The following information is from the *United States Consumer Product Safety Commission's Information Sheet for playground surfacing material*. Also see the following website for additional information: [www.cpsc.gov/cpscpub/pubs/323.html](http://www.cpsc.gov/cpscpub/pubs/323.html).

#### X3. CONSUMER INFORMATION SHEET FOR PLAYGROUND SURFACING MATERIALS<sup>11</sup>

X3.1 The U.S. Consumer Product Safety Commission (CPSC) estimates that about 100,000 playground equipment-related injuries resulting from falls to the ground surface are treated annually in U.S. hospital emergency rooms. Injuries involving this hazard pattern tend to be among the most serious of all playground injuries, and have the potential to be fatal, particularly when the injury is to the head. The surface under and around playground equipment can be a major factor in determining the injury-causing potential of a fall. It is self evident that a fall onto a shock-absorbing surface is less likely to cause a serious injury than a fall onto a hard surface. Playground equipment should never be placed on hard surfaces such as concrete or asphalt and while grass may appear to be acceptable it may quickly turn to hard packed earth in areas of high traffic. Shredded bark mulch, wood chips, fine sand or fine gravel are considered to be acceptable shock absorbing surfaces when installed and maintained at a sufficient depth under and around playground equipment.

X3.2 Table X3.1 lists the maximum height from which a child would not be expected to sustain a life-threatening head injury in a fall onto four different loose-fill surfacing materials if they are installed and maintained at depths of 6, 9, and 12 in. However, it should be recognized that all injuries due to falls cannot be prevented no matter what surfacing material is used.

X3.3 It is recommended that a shock absorbing material should extend a minimum of 6 ft in all directions from the perimeter of stationary equipment such as climbers and slides. However, because children may deliberately jump from a moving swing, the shock absorbing material should extend in the front and rear of a swing a minimum distance of 2 times the height of the pivot point measured from a point directly beneath the pivot on the supporting structure.

X3.4 This information is intended to assist in comparing the relative shock-absorbing properties of various materials. No particular material is recommended over another. However, each material is only effective when properly maintained. Materials should be checked periodically and replenished to maintain correct depth as determined necessary for your equipment. The choice of a material depends on the type and height of the playground equipment, the availability of the material in your area, and its cost.

<sup>11</sup>This information has been extracted from the CPSC publications "Playground Surfacing — Technical Information Guide" and "Handbook for Public Playground Safety." Copies of these reports can be obtained by sending a postcard to: Office of Public Affairs, U.S. Consumer Product Safety Commission, Washington, D.C., 20207 or call the toll-free hotline: 1-800-638-2772.

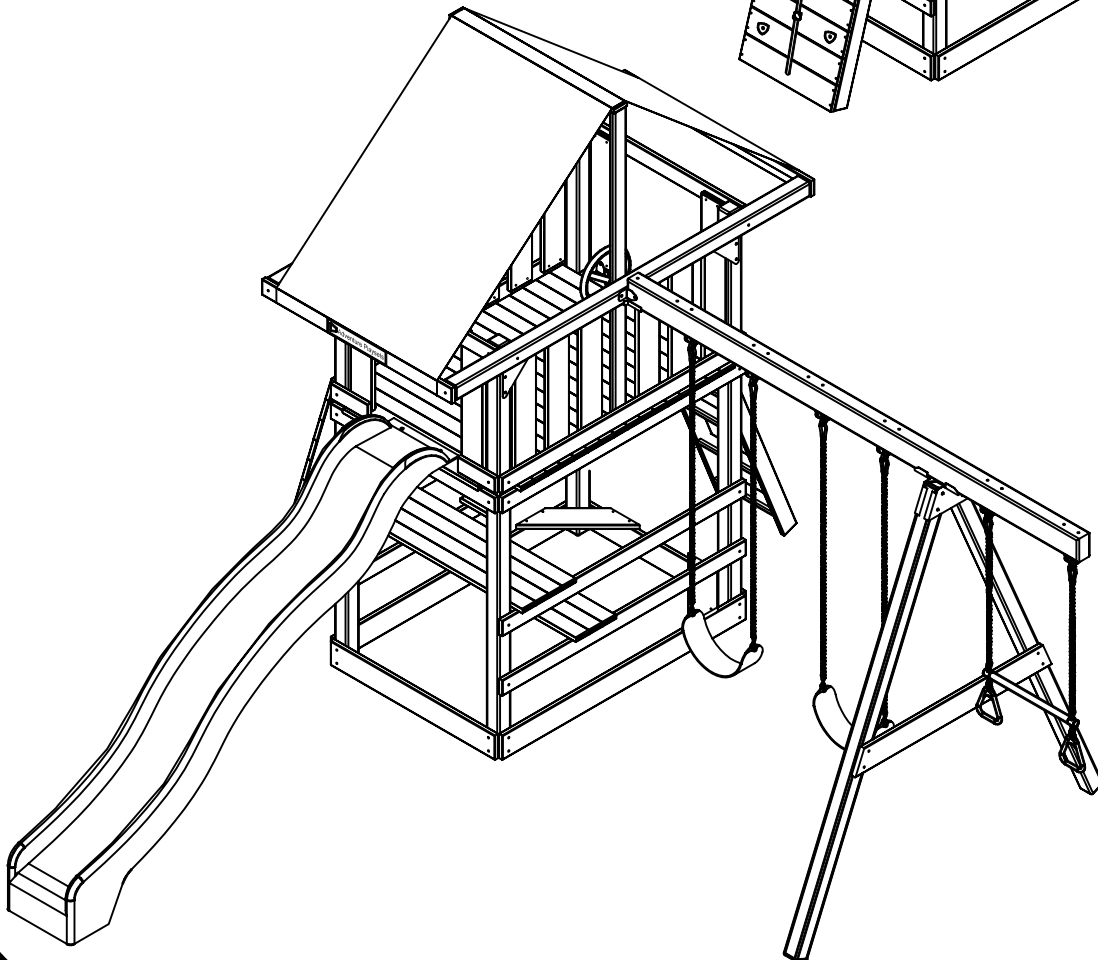
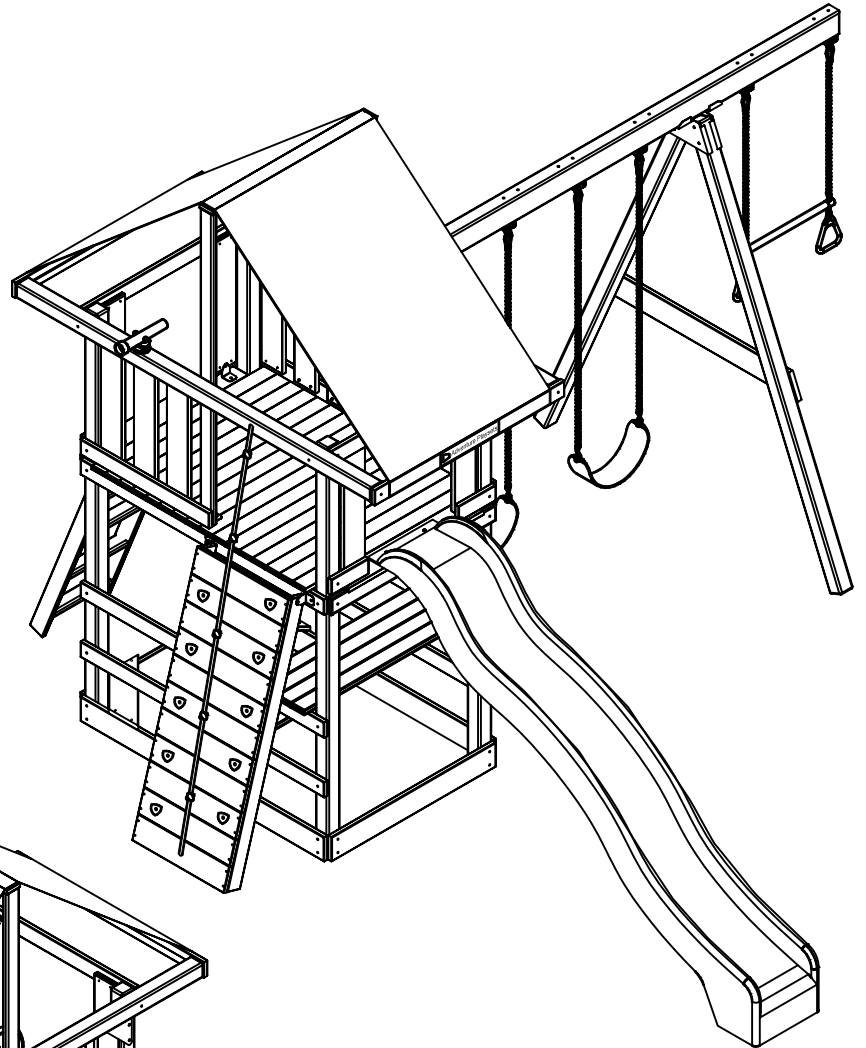
The American Society for Testing and Materials takes no position respecting the validity of any patent right asserted in connection with any item mentioned in this standard. Users of this standard are expressly advised that determination of the validity of any such patent rights, and the risk of infringement of such rights, are entirely their own responsibility.

The standard is subject to revision at any time by the responsible technical committee and must be reviewed every five years and if not revised, either approved or withdrawn. Your comments are invited either for revision of this standard or for additional standards and should be addressed to ASTM Headquarters. Your comments will receive careful consideration at a meeting of the responsible technical committee, which you may attend. If you feel that your comments have not received a fair hearing you should make your views known to the ASTM Committee on Standards, 100 Barr Harbor Drive, West Conshohocken, PA 19428.

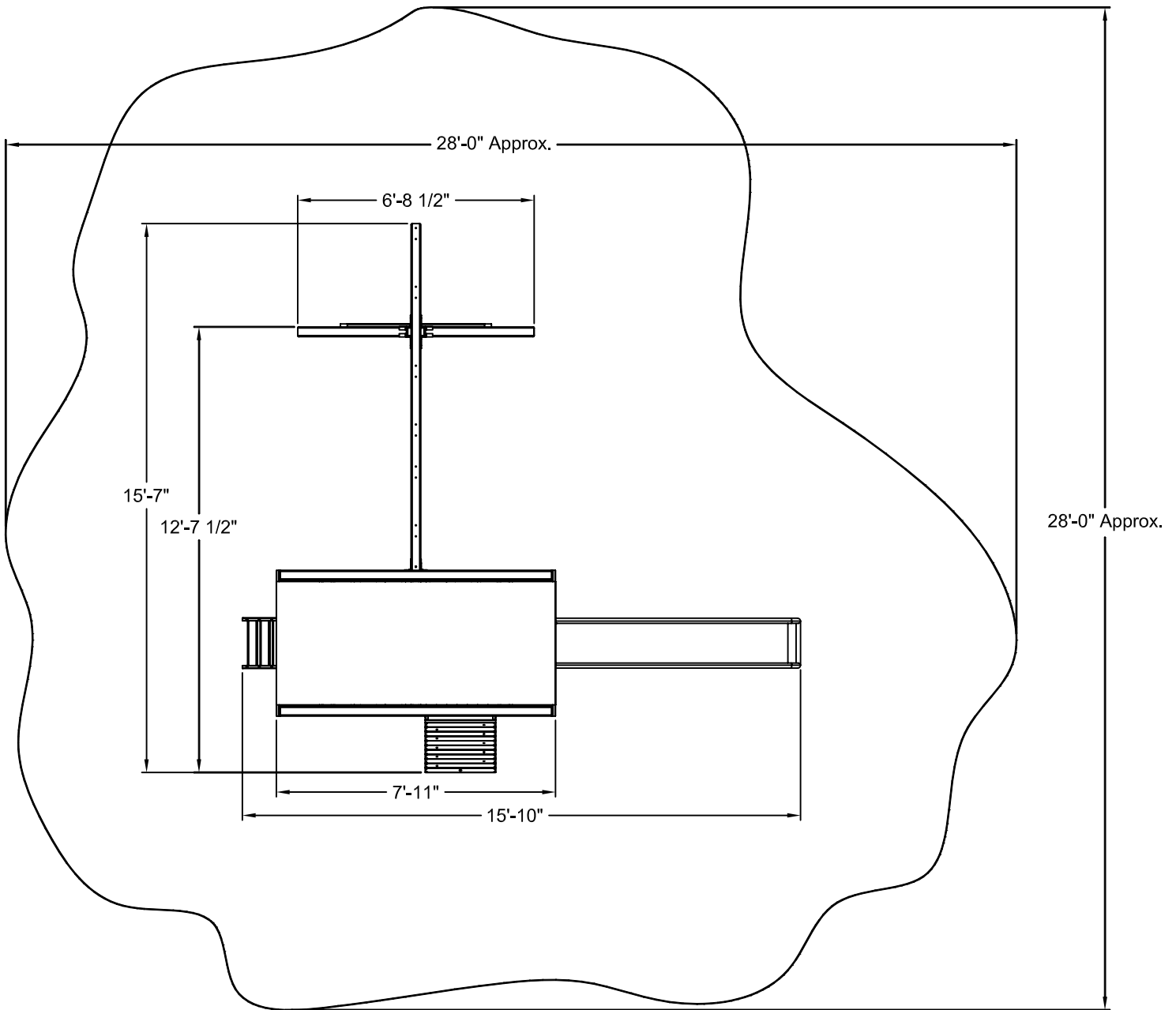
# The Overlook Assembly Instructions

Rev. date:  
January 20, 2005

## The Home Depot



Assemble the Playset on level ground with a play area not less than 6ft. from any structure or obstruction such as a fence, garage, house, overhanging branches, laundry lines, or electrical lines.



Playset should never be placed on hard surfaces such as concrete or asphalt. It is recommended you cover the play area with a shock absorbing material such as bark mulch, or wood chips. (see page 4) Do not build your play set on top of surfacing material. Finish assembly then lay down the material.



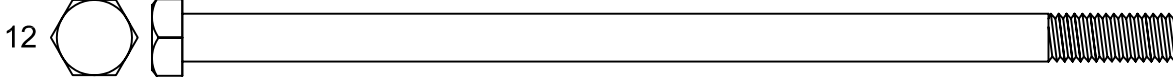
# The Overlook

## Hardware Identification

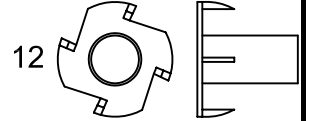
# The Home Depot

Hardware Bag: # 3H1089-05

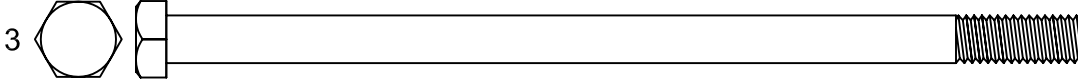
5/16" x 6 1/2" Hex Bolts



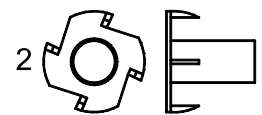
5/16" T-Nuts



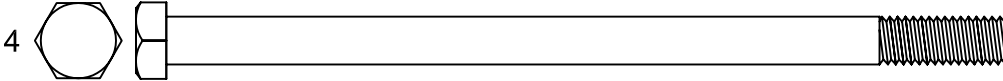
5/16" x 6" Hex Bolts



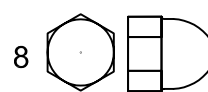
1/4" T-Nuts



5/16" x 5 1/2" Hex Bolts



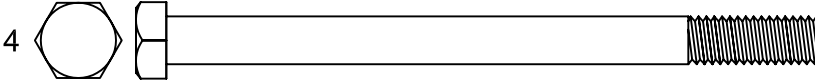
5/16" Acorn Nuts



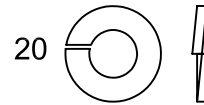
5/16" Lock Nuts



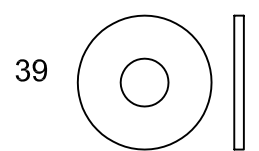
5/16" x 4 1/4" Hex Bolts



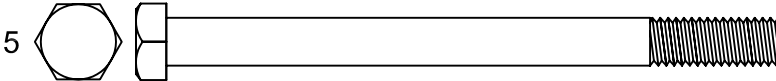
5/16" Split Washers



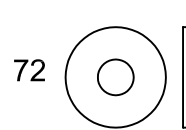
5/16" Flat Washers



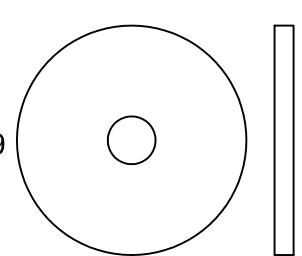
5/16" x 4" Hex Bolts



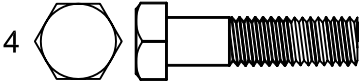
1/4" Flat Washers



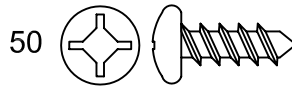
5/16" Fender Washers



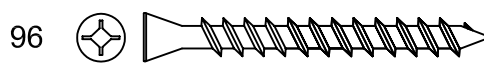
5/16" x 1" Hex Bolts



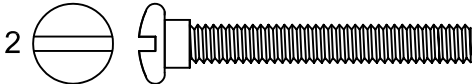
#14 x 3/4" Tapping Screws



2 1/4" Deck Screws



1/4" x 1 1/4" Machine Truss Screw



#14 x 2 1/2" Tapping Screws



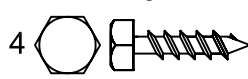
1 3/4" Deck Screws



#14 x 1" Tapping Screws



1/4" x 1" Lag Screws



5/16" x 2" Lag Screws

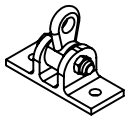




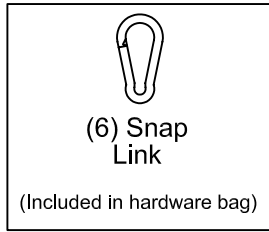
# The Overlook

## Hardware Identification

# The Home Depot

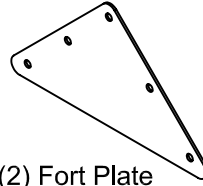


(6) Ductile Swing Hanger



(6) Snap Link

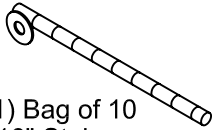
(Included in hardware bag)



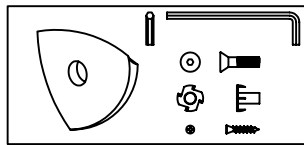
(2) Fort Plate



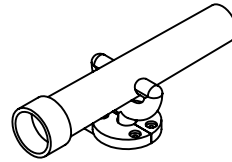
(21) L-Bracket



(1) Bag of 10 16" Stakes



(1) Climbing Rocks 10 ct. w/hardware



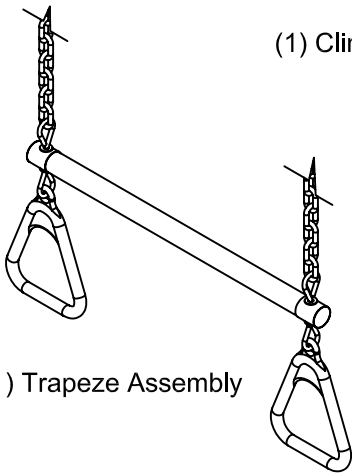
(1) Telescope Assembly



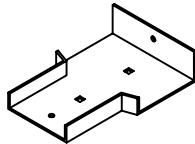
(4) S-Hook



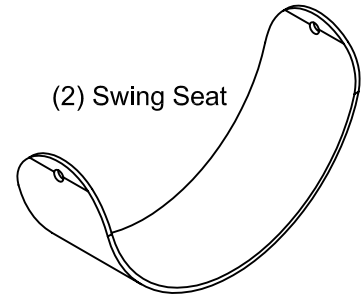
(4) 55" Chain



(1) Trapeze Assembly



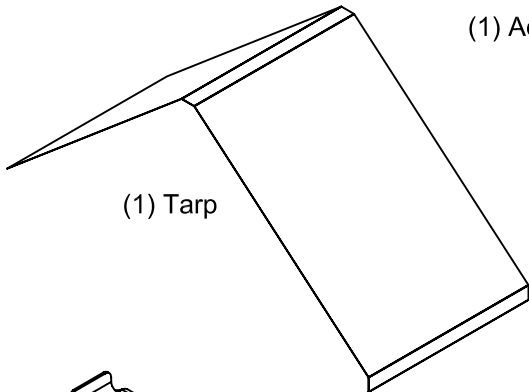
(1) Standard Clamp



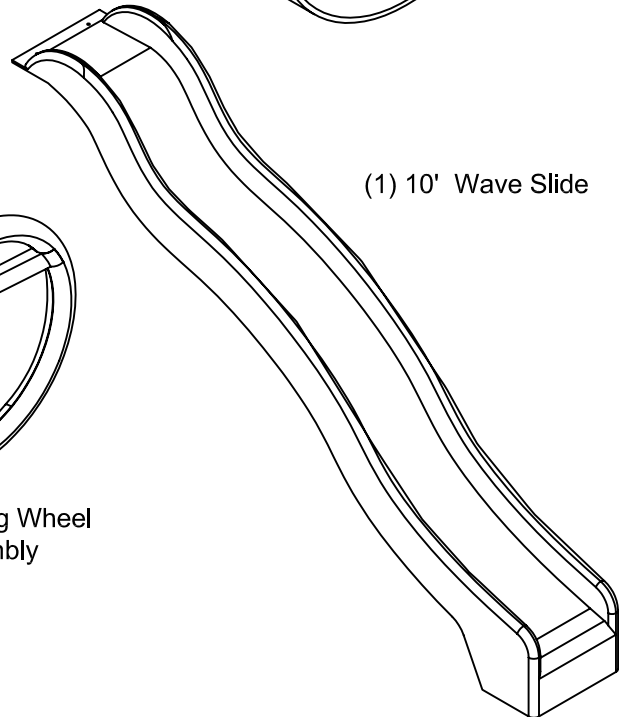
(2) Swing Seat



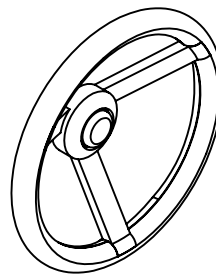
(1) Adventure Playsets Sticker



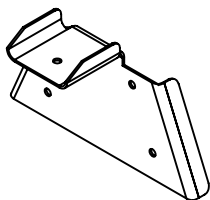
(1) Tarp



(1) 10' Wave Slide



(1) Steering Wheel Assembly



(1) A-Frame Clamp / pair



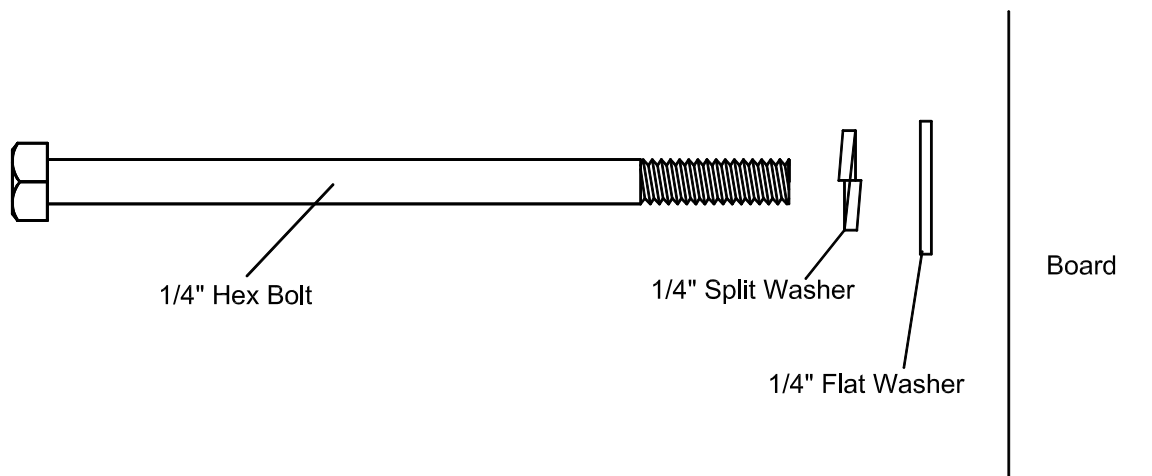
(1) Hand Grip / pair



(1) Rockwall Rope

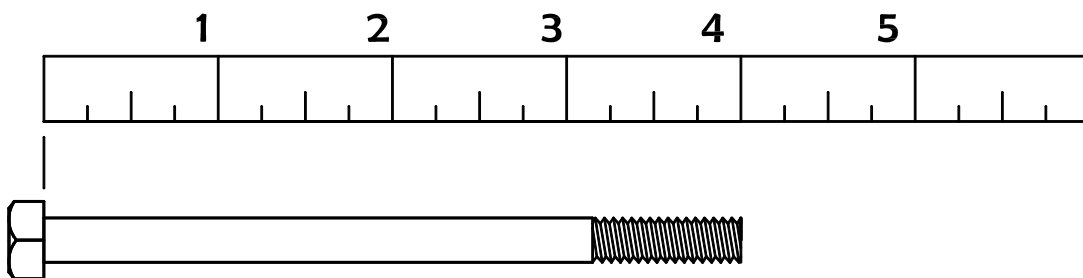
Throughout these instructions when using a hex bolt with a t-nut, a split washer and a flat washer must be used between the head of the hex bolt and the boards being fastened.

Using these washers will prevent the hex bolts from loosening from the t-nut and also from digging into the board.



## HOW TO MEASURE A BOLT

**\*\*NOTE\*\*:** Do not include the bolt head when measuring the length of the bolt.







# The Overlook

## Parts Identification

# The Home Depot

ID	Description	Part Number	QTY.
A	4x4x093 Fort Upright (Green)	4LP1039-05	4
B	5/4x4x063 3/4 Joist	4L1469-05	7
C	5/4x6x063 3/4 Wall Rail/Sandbox Board	4L1464-05	2
D	4x4x093 Single Beam Wall Rail	4L1562-05	1
E	4x4x093 Wall Rail	4L1563-05	1
F	5/4x6x043 Wall Rail/Sandbox Board	4L1465-05	2
G	5/4x4x043 Joist	4L1470-05	4
H	5/4x6x035 1/2 End Floor Board	4L1475-05	2
I	5/4x4x063 3/4 Floor Support	4L1478-05	1
J	5/4x4x008 Panel Cleat	4L1403-05	5
K	5/4x4x049 5/8 End Cap Rail	4L1471-05	2
L	5/4x4x009 3/4 Wall Rail	4L1472-05	4
M	5/4x4x033 5/8 Wall Rail	4L1473-05	1
N	5/4x6x030 Wall Slat	4L1476-05	13
O	2x4x070 1/2 Tarp Upright	4L1467-05	2

ID	Description	Part Number	QTY.
P	5/4x4x043 Tarp Upright End Cap	4L1466-05	1
Q	4x6x118 Single Beam Top Beam 3 Pos. (Green)	4LP1040-05	1
R	4x4x096 A-Frame Beam (Green)	4LP1042-05	2
S	5/4x6x051 3/8 A-Frame Cross Brace	4L1468-05	1
T	5/4x4x060 1/2 Rockwall Brace	4L1474-05	2
U	5/4x6x024 Rockwall Board	4L1559-05	10
V	5/4x6x024 Rockwall Board w/ Rope Hole	4L1560-05	1
W	5/4x6x022 7/8 Sandbox Seat	4L1565-05	2
X	5/4x4x062 Right Ladder Rail	4L1066-05	1
Y	5/4x4x062 Left Ladder Rail	4L1067-05	1
Z	2x4x016 Ladder Rung	4L504	5
AA	1x6x017 1/4 Deck Ladder Brace	4L1317-05	1
AC	5/4x4x11 Panel Cleat	4L1404-05	1
AD	Panel Assembly - 5/4x4x47 (4 board)	2A1069-05	5
AE	Panel Assembly - 5/4x4x47 (3 board)	2A1070-05	1

Gather Items:

- (4) A - 4x4x093 Fort Upright (Green)
- (2) B - 5/4x4x063 3/4 Joist
- (2) C - 5/4x6x063 3/4 Wall Rail/Sandbox Board
- (1) D - 4x4x093 Single Beam Wall Rail
- (1) E - 4x4x093 Wall Rail

Step 1: Build Fort Frames:

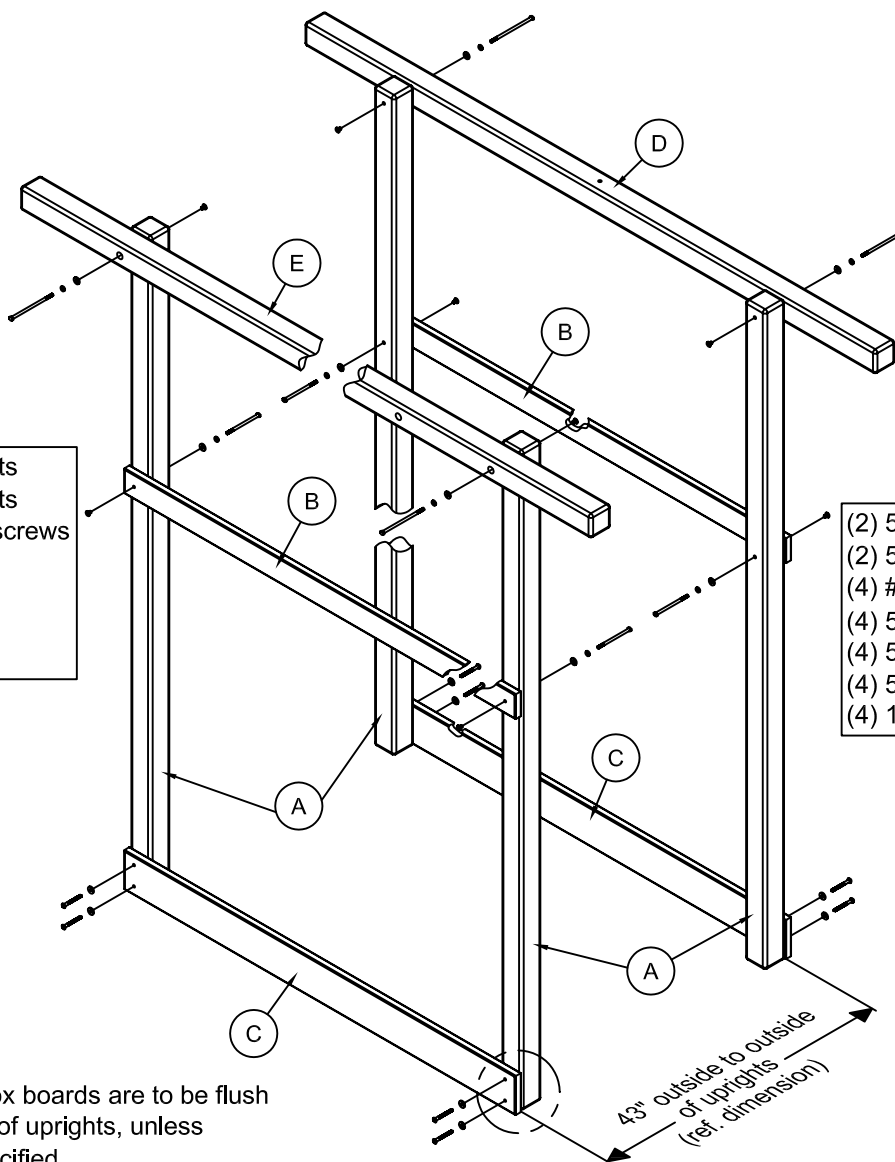
Insert t-nuts into items B and fasten to A's using 5/16" x 4 1/4" hex bolts. Fasten items C flush to the bottom and outsides of items A (fig. 1) using #14 x 2 1/2" tapping screws. Insert t-nuts into items A (as shown) and fasten items D and E using 5/16" x 5 1/2" hex bolts. **\*\*Note orientation of E in relation to position of frames\*\***

Step 2 Stand Frames:

Stand both frames and position (as shown) using the 43" ref. dimension. (Helper is highly recommended.)

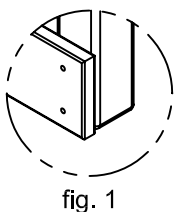
General information to use throughout instructions.

- Be sure and lightly hammer t-nuts where instructed.
- Be sure and not over tighten hex bolts. Bolts should not protrude more than 2 threads on opposite side.
- It is highly recommended that you have at least one adult helper assisting you during installation.



- (2) 5/16" x 5 1/2" hex bolts
- (2) 5/16" x 4 1/4" hex bolts
- (4) #14 x 2 1/2" tapping screws
- (4) 5/16" t-nuts
- (4) 5/16" split washers
- (4) 5/16" flat washers
- (4) 1/4" flat washers

- (2) 5/16" x 5 1/2" hex bolts
- (2) 5/16" x 4 1/4" hex bolts
- (4) #14 x 2 1/2" tapping screws
- (4) 5/16" t-nuts
- (4) 5/16" split washers
- (4) 5/16" flat washers
- (4) 1/4" flat washers



All rail/sandbox boards are to be flush with outsides of uprights, unless otherwise specified.

All holes in rail/sandbox boards are to be centered with uprights.

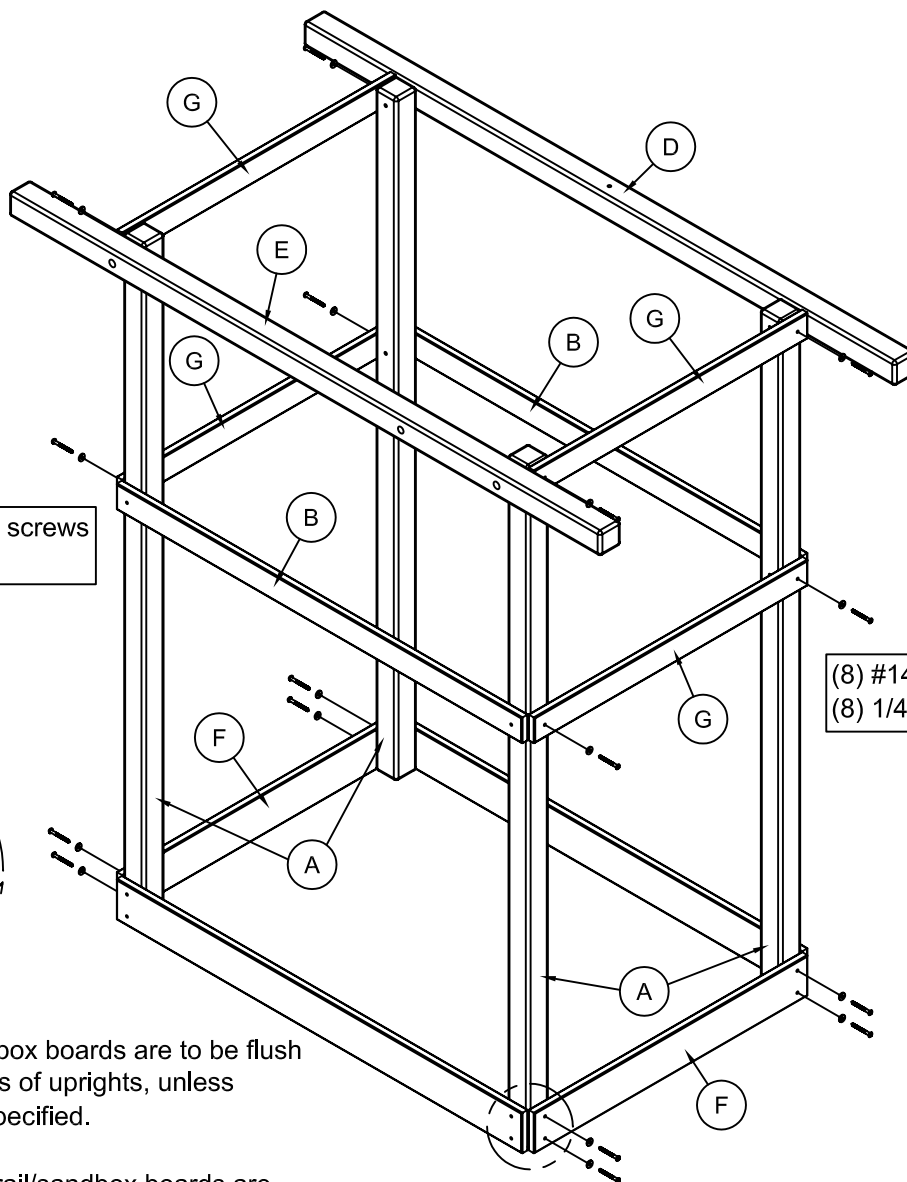
Note the orientation of item E in relation to the position of the fort frames.

Gather Items:

- (2) F - 5/4x6x043 Wall Rail/Sandbox Board
- (4) G - 5/4x4x043 Joist

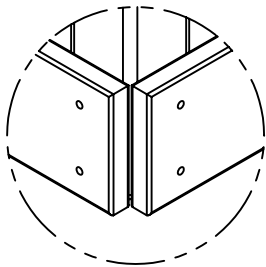
Step 1: Finishing Frame:

With helper still holding the frames, fasten items F to A's using #14 x 2 1/2" tapping screws. Now fasten items G to items A using #14 x 2 1/2" tapping screws. **\*\*Be sure and keep top of G's flush with tops of B, D, and E. \*\***



(8) #14 x 2 1/2" tapping screws  
(8) 1/4" flat washers

(8) #14 x 2 1/2" tapping screws  
(8) 1/4" flat washers



All rail/sandbox boards are to be flush with outsides of uprights, unless otherwise specified.



All holes in rail/sandbox boards are to be centered with uprights.

# Phase 3 Fort Floor Installation

Gather Items:

- (2) H - 5/4x6x035 1/2 End Floor Board
- (1) I - 5/4x4x063 3/4 Floor Support
- (4) J - 5/4x4x008 Panel Cleat
- (4) AC - Panel Assembly (4 board)
- (10) L-bracket

Step 1: Installing Floor Panels:

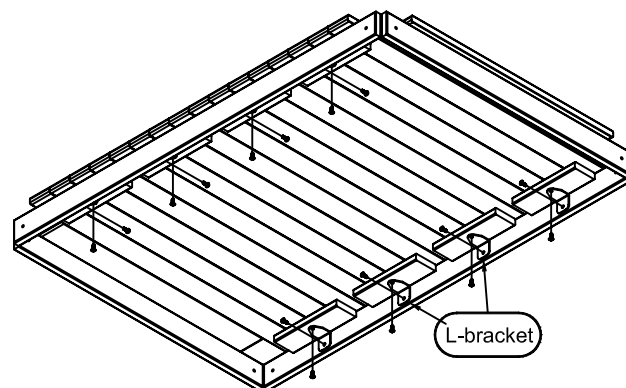
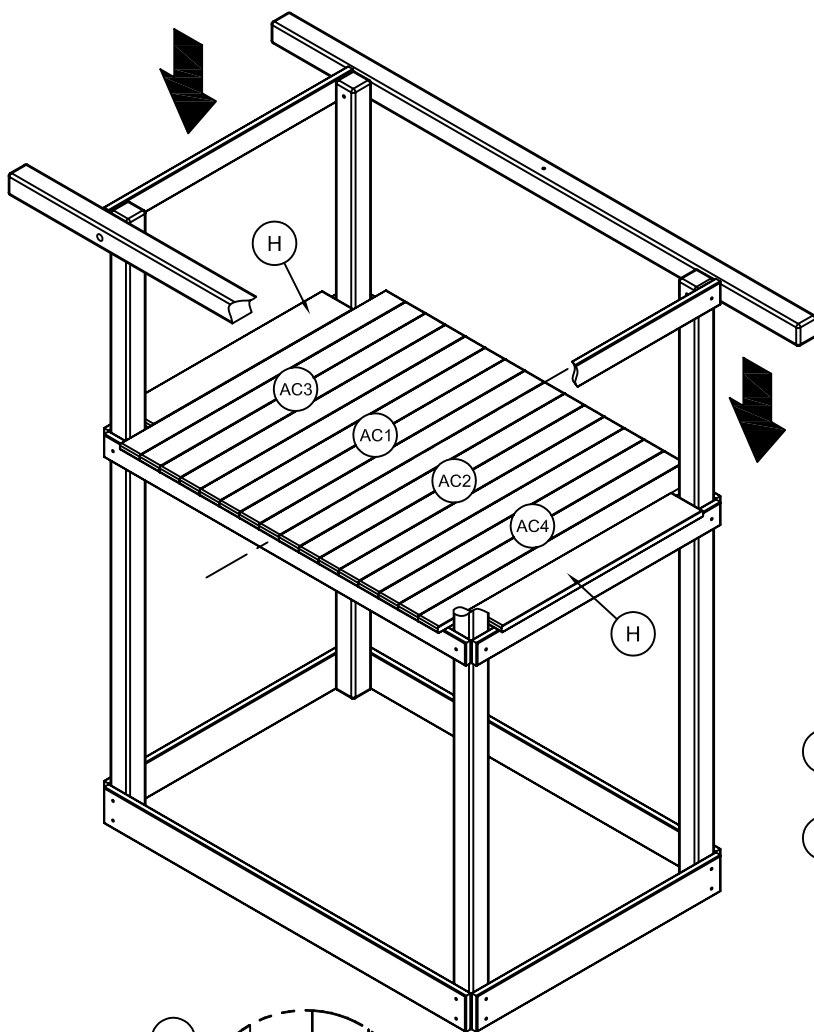
Place AC's on floor joists with cleats centered between them. **\*\*Be sure and keep items AC centered on fort.\*\*** Once in position, fasten to fort using L-brackets and #14 x 3/4" tapping screws. Use (2) L-brackets per panel, one on each cleat.

Step 2: Installing End Floor Boards:

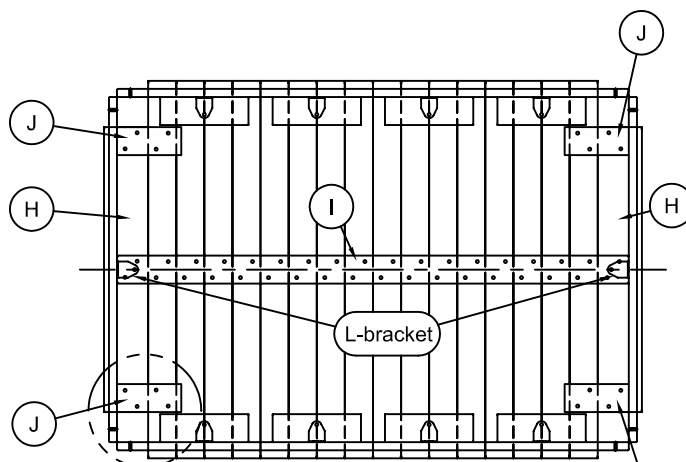
Rest items H on floor joists and butt against items AC as shown. From below, place items J and fasten with 1 3/4" deck screws (fig. 2).

Step 3: Installing Center Floor Support:

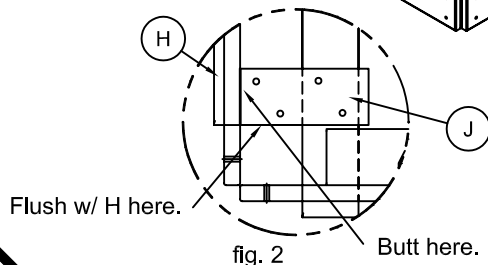
Place item I centered with bottom of floor and fasten using 1 3/4" deck screws as shown below. Next, fasten (2) L-brackets using #14 x 3/4" tapping screws to secure I to end floor joists.



- (16) #14 x 3/4" tapping screws
- (8) L-brackets



- (4) #14 x 3/4" tapping screws
- (52) 1 3/4" deck screws
- (2) L-brackets



Bottom View

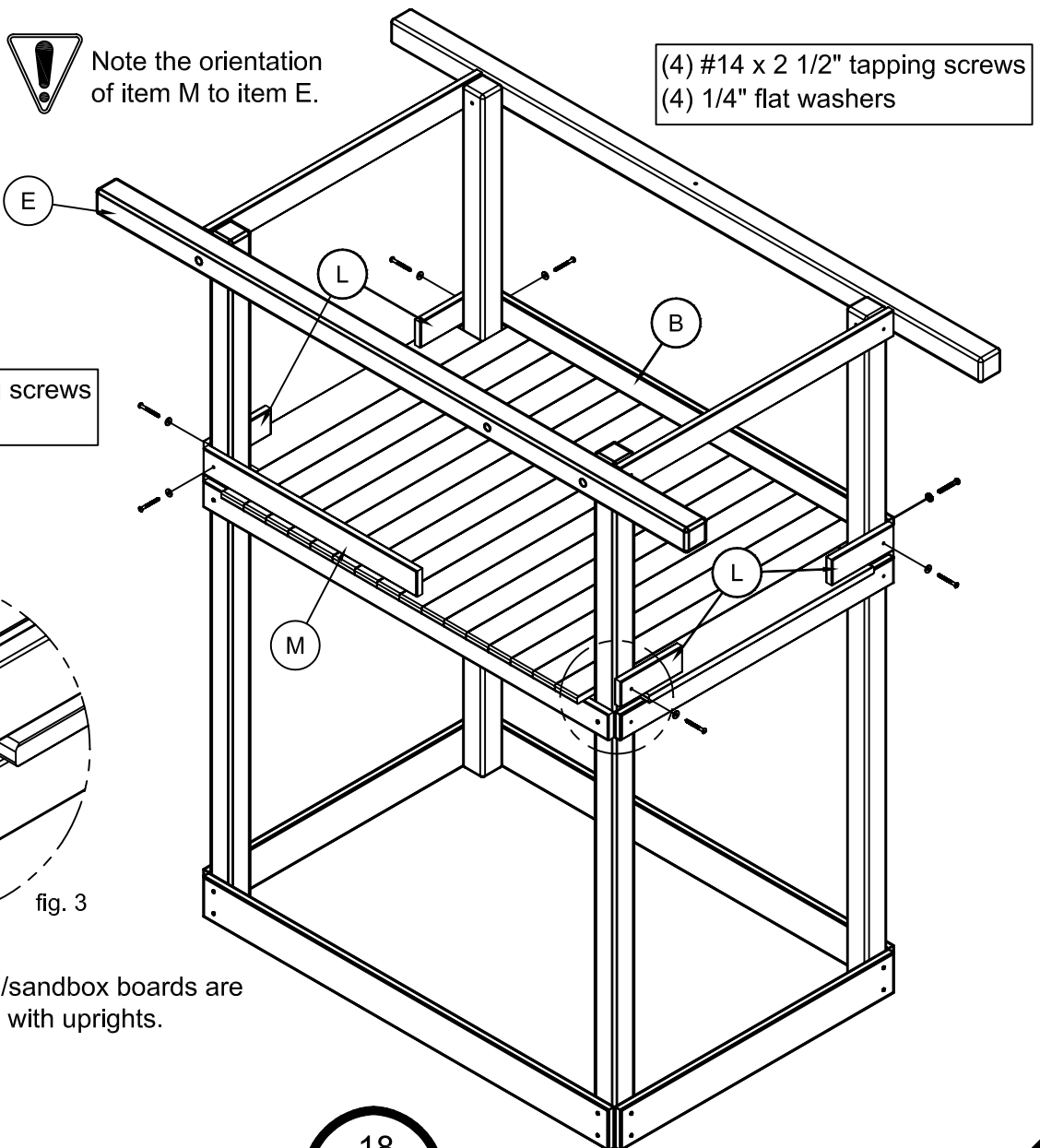
# Phase 4 Lower Wall Rail Installation

Gather Items:

- (1) B - 5/4x4x063 3/4 Joist
- (4) L - 5/4x4x009 3/4 Wall Rail
- (1) M - 5/4x4x033 5/8 Wall Rail

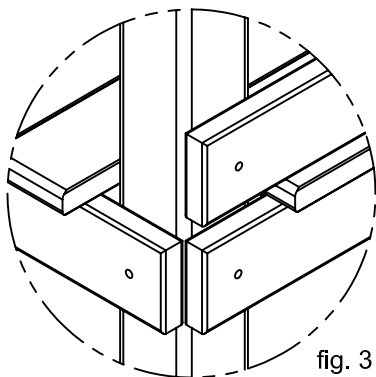
Step 1: Installing Bottom Wall Rails:

For the installation of items B, L, and M, place them as shown resting on fort floor and fasten to uprights using #14 x 2 1/2" tapping screws. (\*\*NOTE\*\* Make sure the fastened ends of the Bottom Wall Rails are flush with the outside faces of upright. fig. 3)



(3) #14 x 2 1/2" tapping screws  
(3) 1/4" flat washers

(4) #14 x 2 1/2" tapping screws  
(4) 1/4" flat washers



All holes in rail/sandbox boards are to be centered with uprights.

# Phase 5 Side Wall Slat Installation

Gather Items:

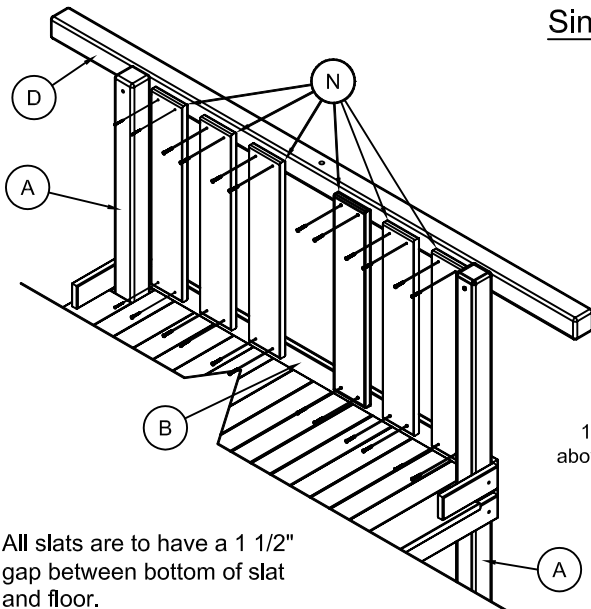
(9) N - 5/4x6x030 Wall Slat

Step 1: Installing Single Beam Wall Slats:

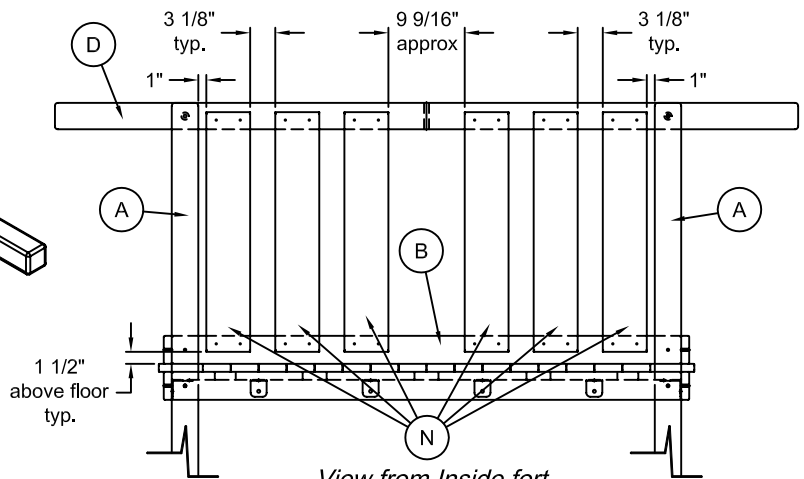
On the Single Beam Wall, place a Wall Slat with a 1" gap from upright A and a 1 1/2" gap from fort floor on both sides. Fasten slats using 1 3/4" deck screws. For the remaining slats, leave a gap of 3 1/8" between each other, as shown below. **\*\*NOTE\*\*** The 9 9/16" space shown will be filled in Phase 6.

Step 2: Installing Rockwall Opening Wall Slats:

On the Rockwall Opening Wall, place a Wall Slat with a 1" gap from upright A and a 1 1/2" gap from fort floor. **\*\*NOTE\*\*** Make sure that the first slat is fastened on the correct side. Fasten slat using 1 3/4" deck screws. For the remaining slats, leave a gap of 3 1/8" between each other, as shown below. **\*\*NOTE\*\*** The 6 1/2" space shown will be filled in Phase 6.



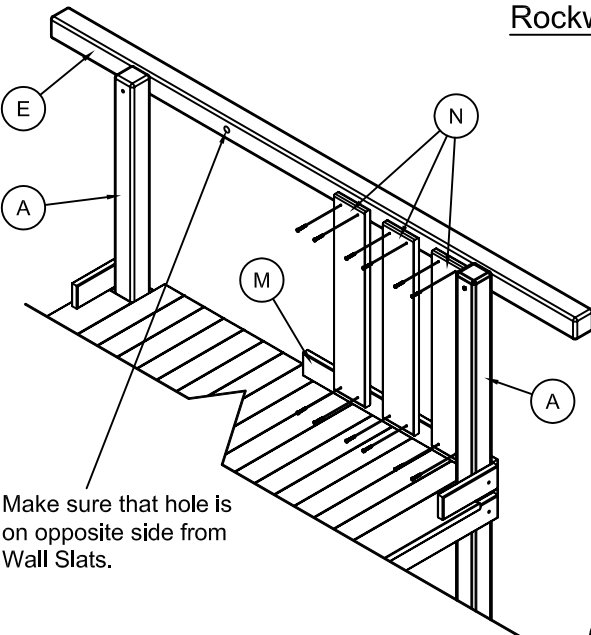
Single Beam Wall



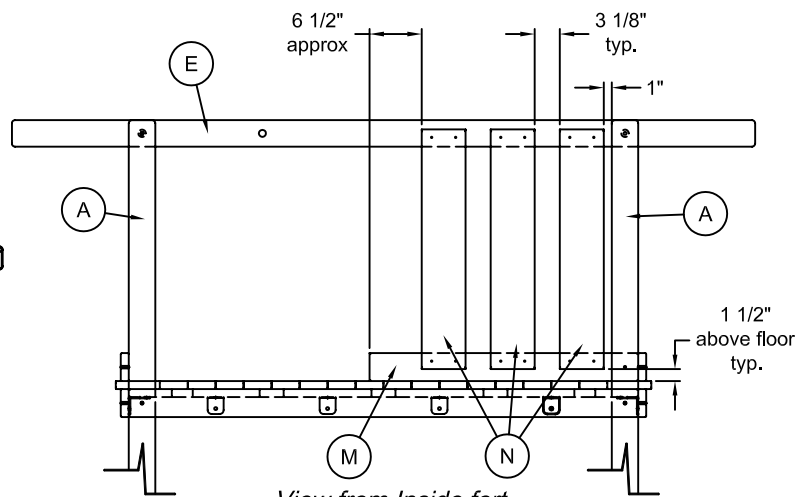
View from Inside fort

(24) 1 3/4" deck screws

All slats are to have a 1 1/2" gap between bottom of slat and floor.



Rockwall Opening Wall



View from Inside fort

(12) 1 3/4" deck screws

Make sure that hole is on opposite side from Wall Slats.

# Phase 6 Tarp Upright Installation

Gather Items:

- (2) O - 2x4x070 1/2 Tarp Upright
- (1) P - 5/4x4x043 Tarp Upright End Cap
- (1) Clamp - Standard
- (1) L-bracket

Step 1: Installing Single Beam Clamp Support:

Place Clamp as shown in fig. 4 and fasten to D using a 5/16" x 4" hex bolt.

Step 2: Installing Tarp Upright:

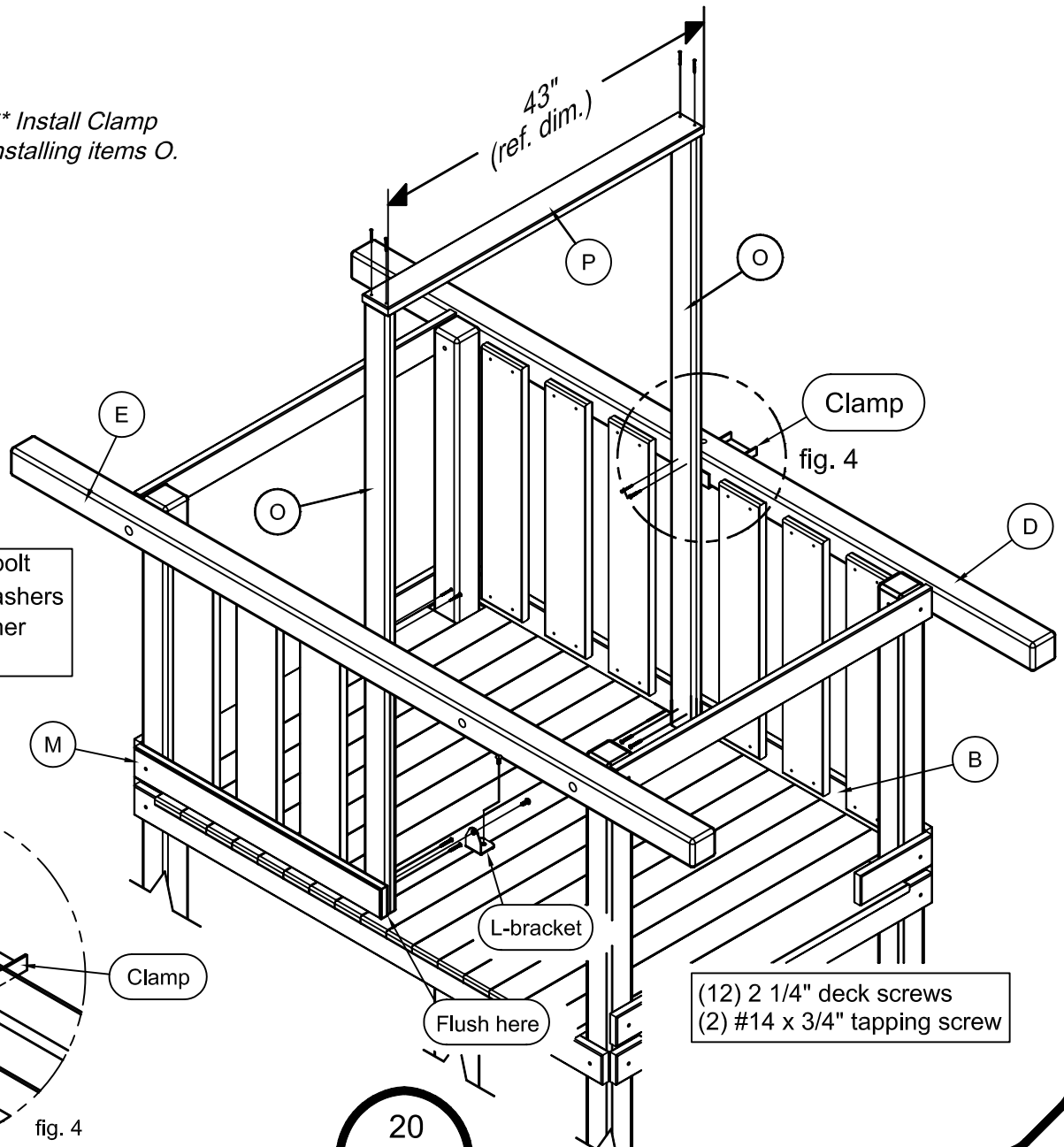
Take item O and place it against items B and D with bottom resting on the floor and centered in the 9 9/16" gap from Phase 5. Once it is centered and level fasten to B and D using 2 1/4" deck screws. Now, install the remaining item O with bottom resting on the floor and with the side flush with item M as shown. Fasten to items E and M. Next, place an L-bracket against the floor and against item O (centered on item O) and fasten using #14 x 3/4" tapping screws. **\*\*NOTE\*\* Make sure that O is level before fastening L-bracket.**

Step 3: Installing Tarp Upright End Cap:

Place item P on top of items O with ends flush with the sides of O (ref. dimension) and fasten using 2 1/4" deck screws.



**\*\*NOTE\*\*** Install Clamp prior to installing items O.



- (1) 5/16" x 4" hex bolt
- (2) 5/16" fender washers
- (1) 5/16" split washer
- (1) 5/16" acorn nut

- (12) 2 1/4" deck screws
- (2) #14 x 3/4" tapping screw

Gather Items:

- (4) N - 5/4x6x030 Wall Slat
- (2) K - 5/4x4x049 5/8 End Cap Rail
- (4) L-bracket

Step 1: Installing End Wall Slats:

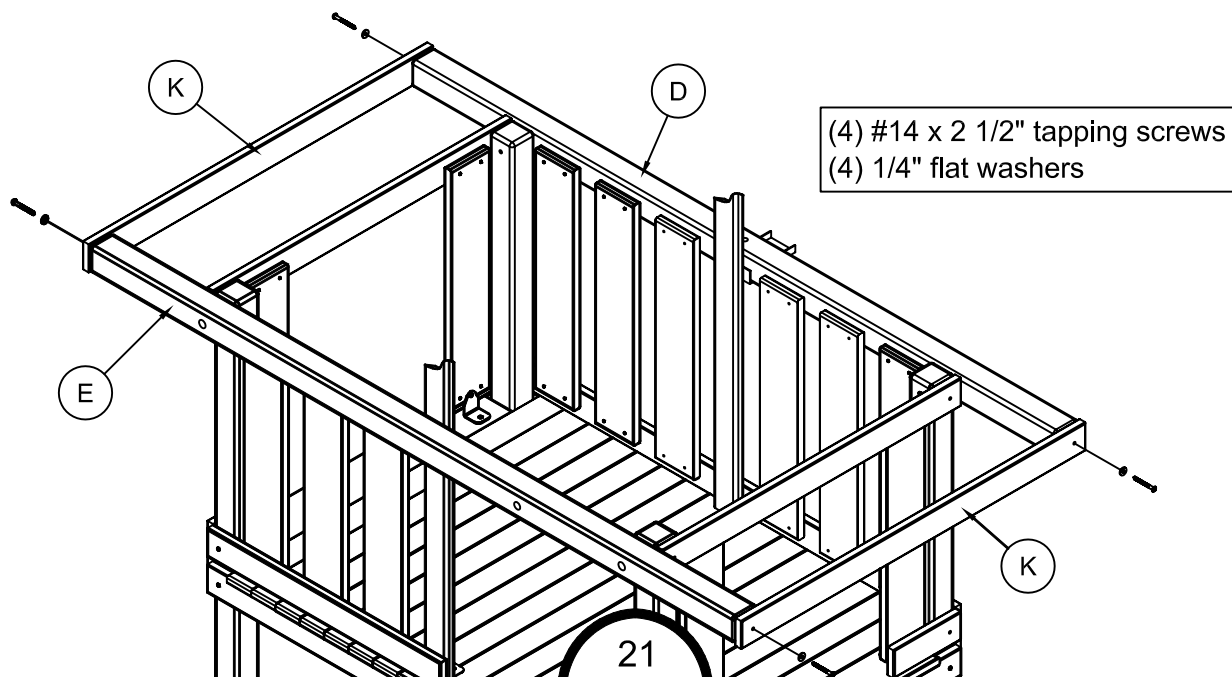
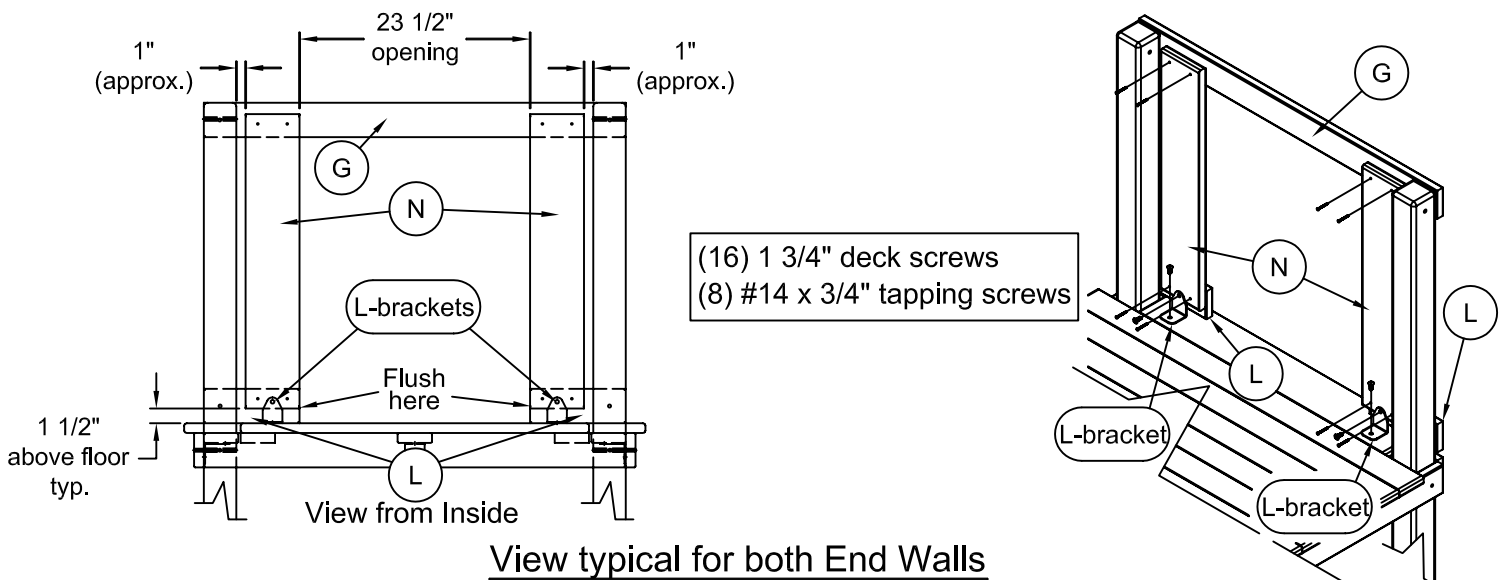
Place items N against items G and L, leaving a 1 1/2" gap from the floor to the bottom of N. **\*\*NOTE\*\*** Items N and L are flush where shown.

Step 2: Stabilizing Walls:

Place L-brackets against floor and against Wall Slats (centered with Wall Slats) and fasten using #14 x 3/4" tapping screws. **\*\*NOTE\*\*** Make sure that Wall Slats are level before fastening L-brackets.

Step 3: Installing End Cap Rails:

Place items K against items D and E flush with tops, bottoms, and sides and fasten using #14 x 2 1/2" tapping screws.





Gather Items:

- (4) B - 5/4x4x063 3/4 Joist
- (1) J - 5/4x4x008 Panel Cleat
- (1) AB - 5/4x4x011 Panel Cleat
- (1) AC - Panel Assembly (4 board)
- (1) AD - Panel Assembly (3 board)

Step 1: Installing Picnic Table Support:

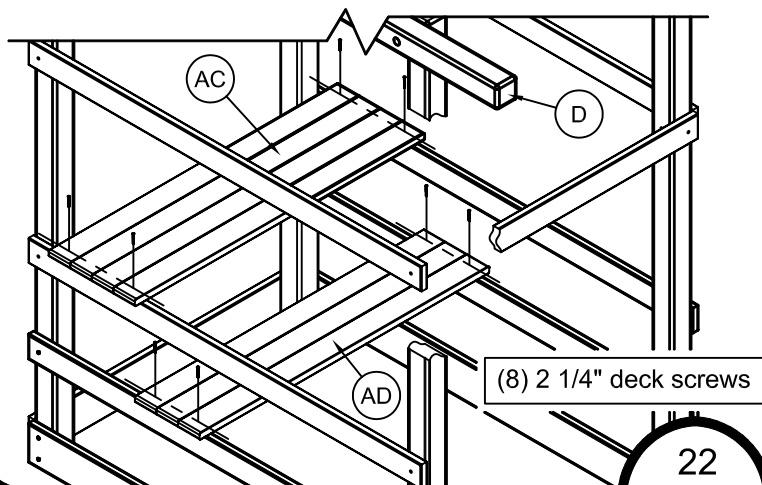
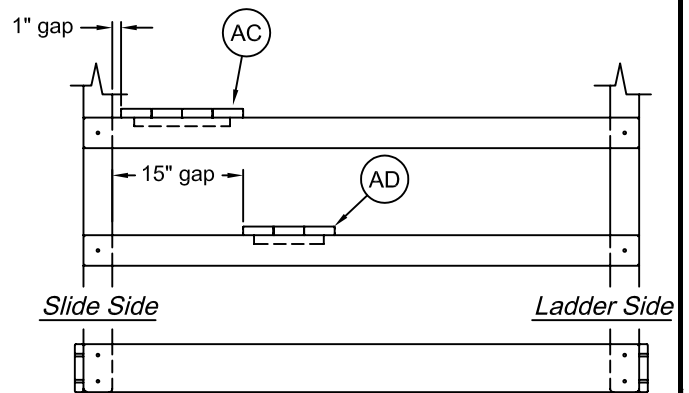
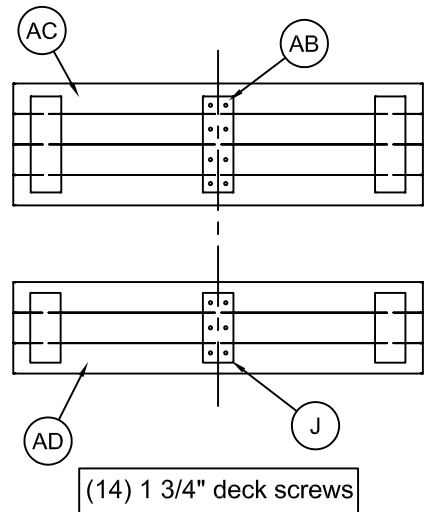
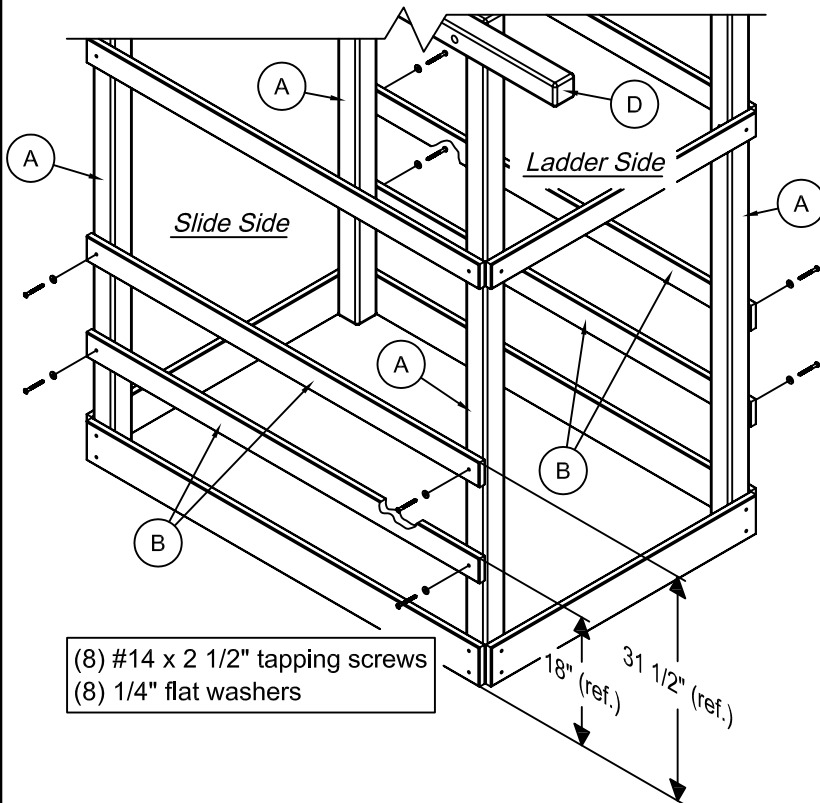
Place items B against items A at the 18" (ref.) and 31 1/2" (ref.) dimensions (from ground to top of B's) and fasten using #14 x 2 1/2" tapping screws. **\*\*NOTE\*\*** Make sure that items B are level before fastening.

Step 2: Stabilizing Table and Bench:

With AC and AD laying upside down, fasten J to AD and AB to AC (centered) using 1 3/4" deck screws.

Step 3: Installing Picnic Table and Bench:

Place AC between the top set of B's leaving a 1" gap between the uprights (see fig. 5). Next, place AD between bottom set of B's leaving a 15" gap between the uprights (also shown in fig. 5).



**\*\*NOTE\*\*** Install Picnic Table on the SAME end as the Rockwall Opening.

Gather Items:

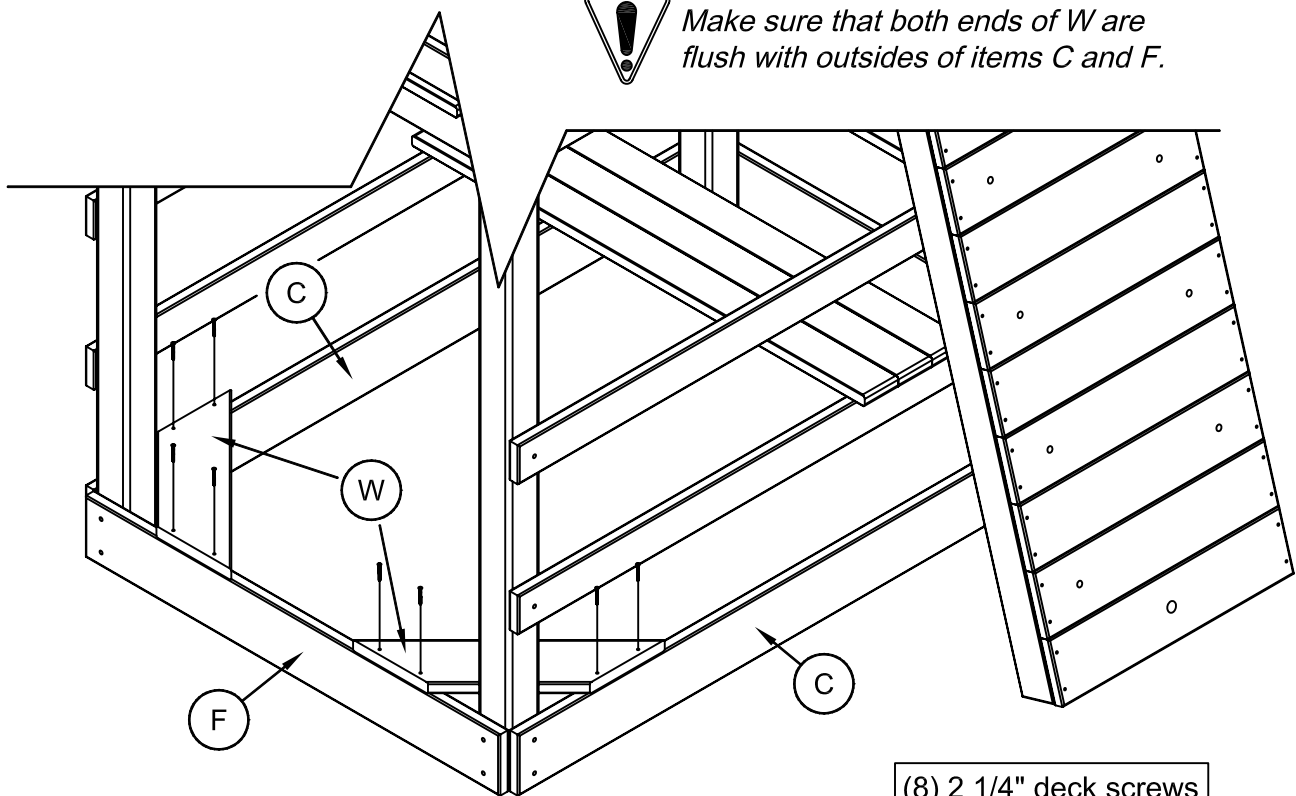
(2) W - 5/4x6x022 7/8 Sandbox Seat

Step 1: Installing Sandbox Seats:

Rest items W on top of C's and F as shown below. Ensure that the ends of items W are flush with the outsides of items C and F, fasten using 2 1/4" deck screws. **\*\*NOTE\*\*** Place *Sandbox Seats opposite from Picnic Table.*



Make sure that both ends of W are flush with outsides of items C and F.



(8) 2 1/4" deck screws

Gather Items:

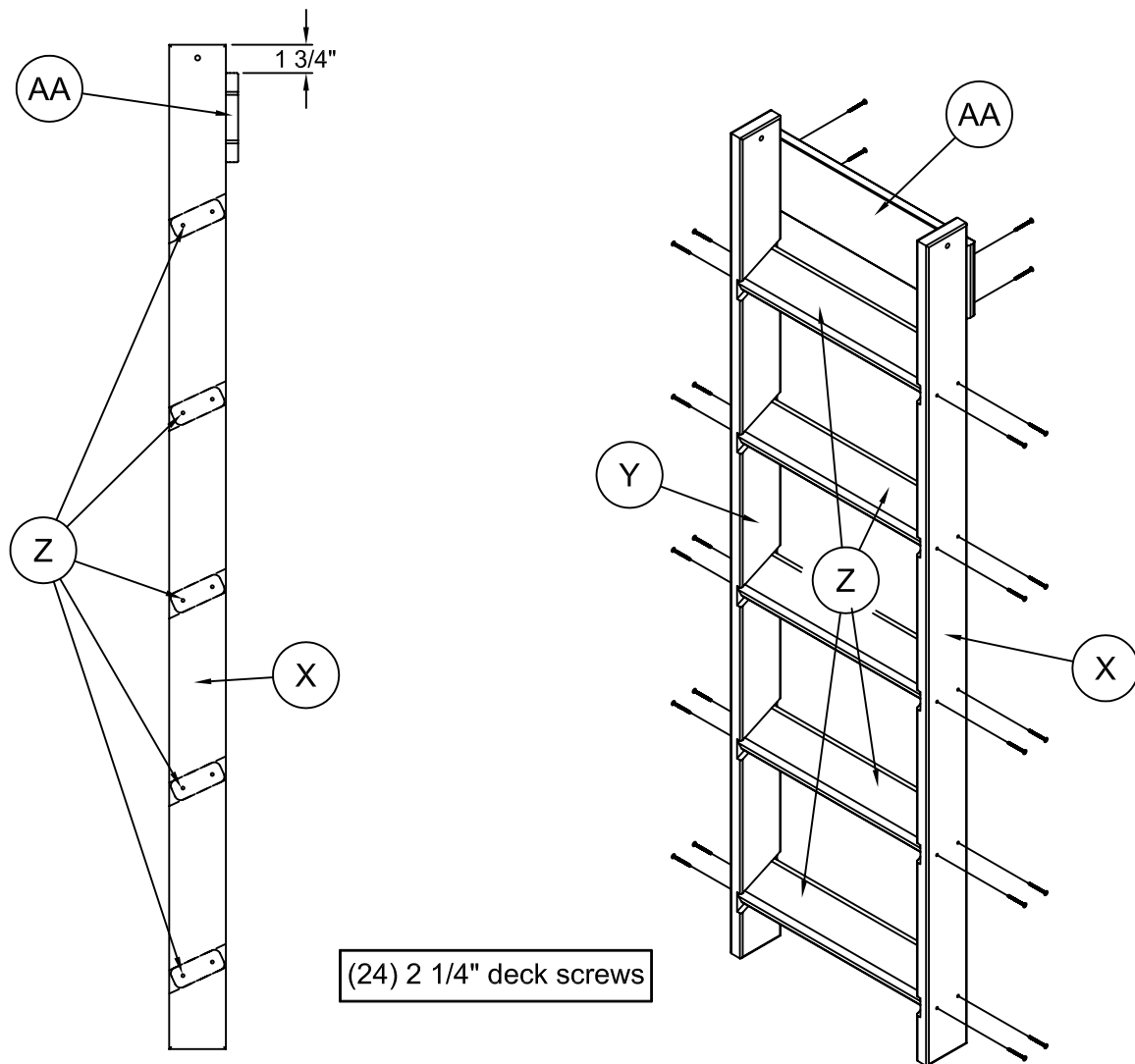
- (1) X - 5/4x4x062 Right Ladder Rail
- (1) Y - 5/4x4x062 Left Ladder Rail
- (5) Z - 2x4x016 Ladder Rung
- (1) AA - 1x6x017 1/4 Deck Ladder Brace

Step 1: Assemble Ladder:

Lay X down with dado cuts facing up, insert items Z in dados and fasten using 2 1/4" deck screws. Next, insert items Z into dados in item Y, center and fasten using 2 1/4" deck screws.

Step 2: Fasten Deck Ladder Brace:

**\*\*Please note the orientation of items X, Y, and Z in relationship to the position of item AA.\*\*** Place item AA against items X and Y with the outsides flush. Be sure to have a 1 3/4" space between AA and the ends of X and Y, fasten using 2 1/4" deck screws.



*Make sure that both ends of W are flush with outsides of items C and F.*

# Phase 11 Deck Ladder and Grip Handle Installation

- Gather Items:  
 (2) L-bracket  
 (1) Hand Grip / pair



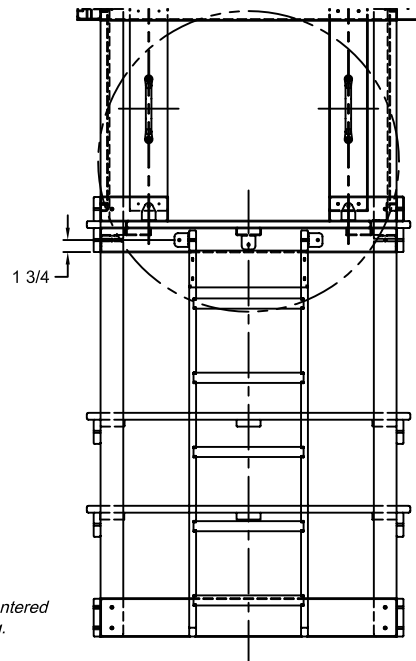
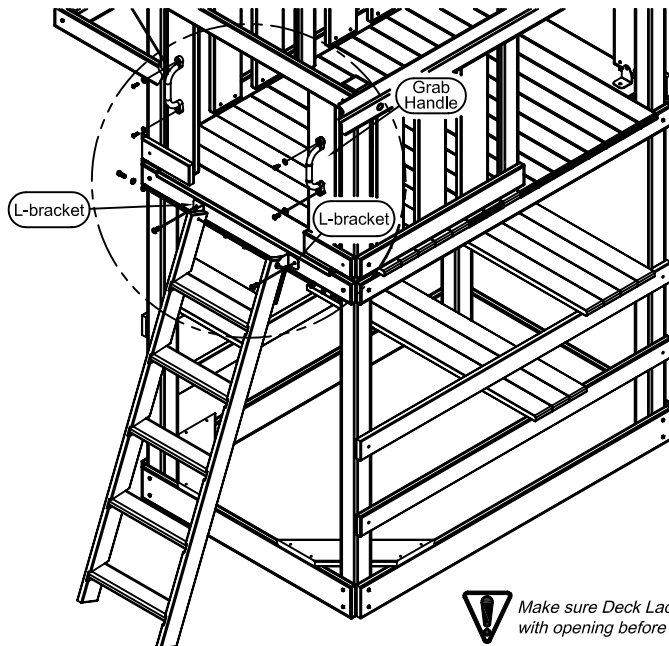
**\*\*Note the orientation of fort in relation to the deck ladder\*\***

### Step 1: Install Ladder:

Fasten L-brackets to ladder rails using 5/16" x 1" hex bolts (fig. 6). Next, center deck ladder with opening and fasten L-brackets using 1 3/4" dimension (fig. 7) with #14 x 1" tapping screws.

### Step 2: Installing Hand Grips:

Place hand grips against items N, center both ways and fasten using 1/4" x 1" lag screws (see fig. 7).



**!** Make sure Deck Ladder is centered with opening before fastening.

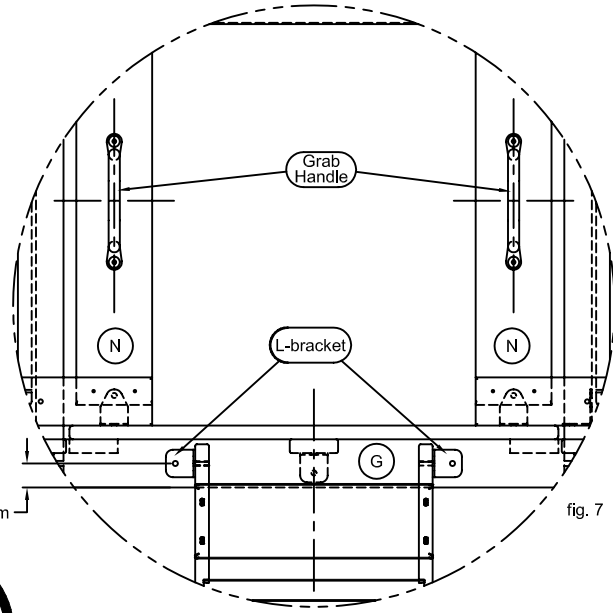
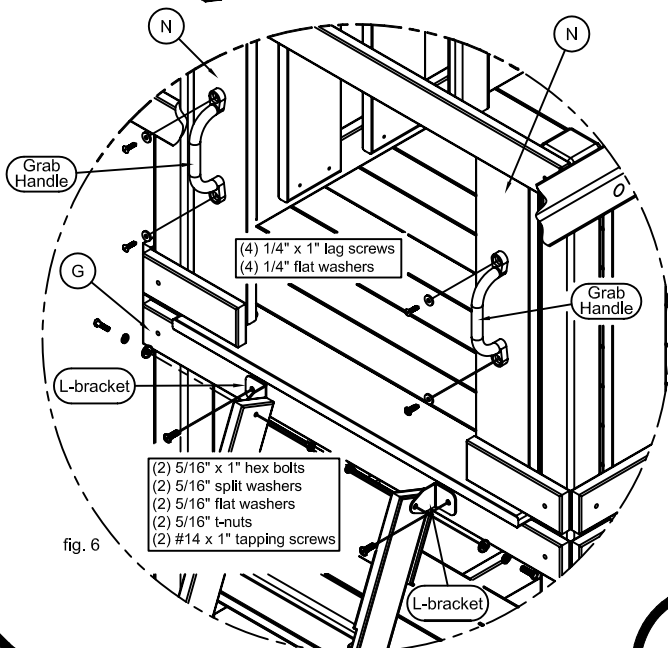


fig. 6

fig. 7

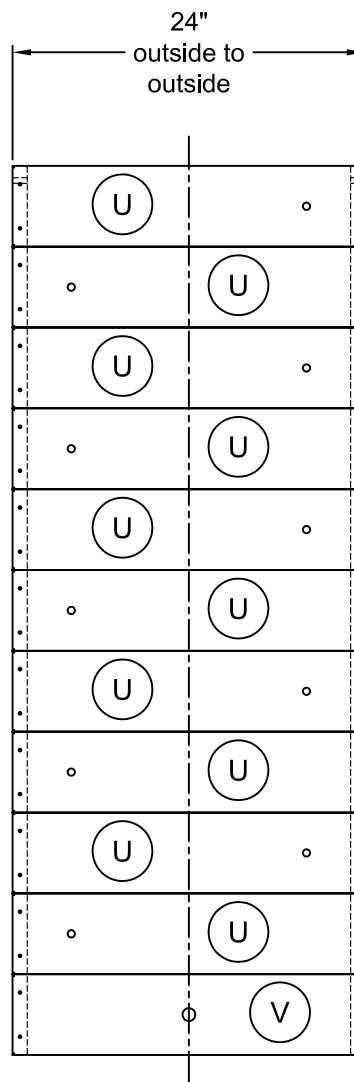
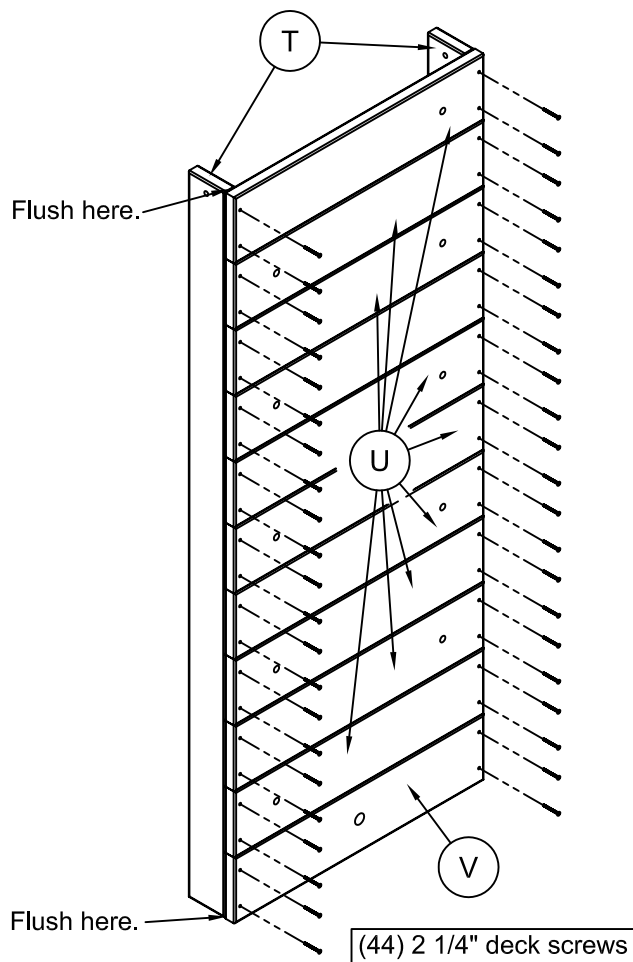
# Phase 12 Rockwall Assembly

Gather Items:

- (2) T - 5/4x4x60 1/2 Rockwall Brace
- (10) U - 5/4x6x024 Rockwall Board
- (1) V - 5/4x6x024 Rockwall Board w/ rope hole

Step 1: Assemble Rockwall:

Lay items T down with an outside dimension of 24" and flush on the ends. Next, place the top item U as shown, with ends of T's flush with side of U and fasten using 2 1/4" deck screws. Rotate the following item U 180°, butt up against the previous U, and place flush with the sides of T's. Fasten with 2 1/4" deck screws, continue the pattern until the last space. Install V in the last space the same way as instructed for U and fasten using 2 1/4" deck screws.

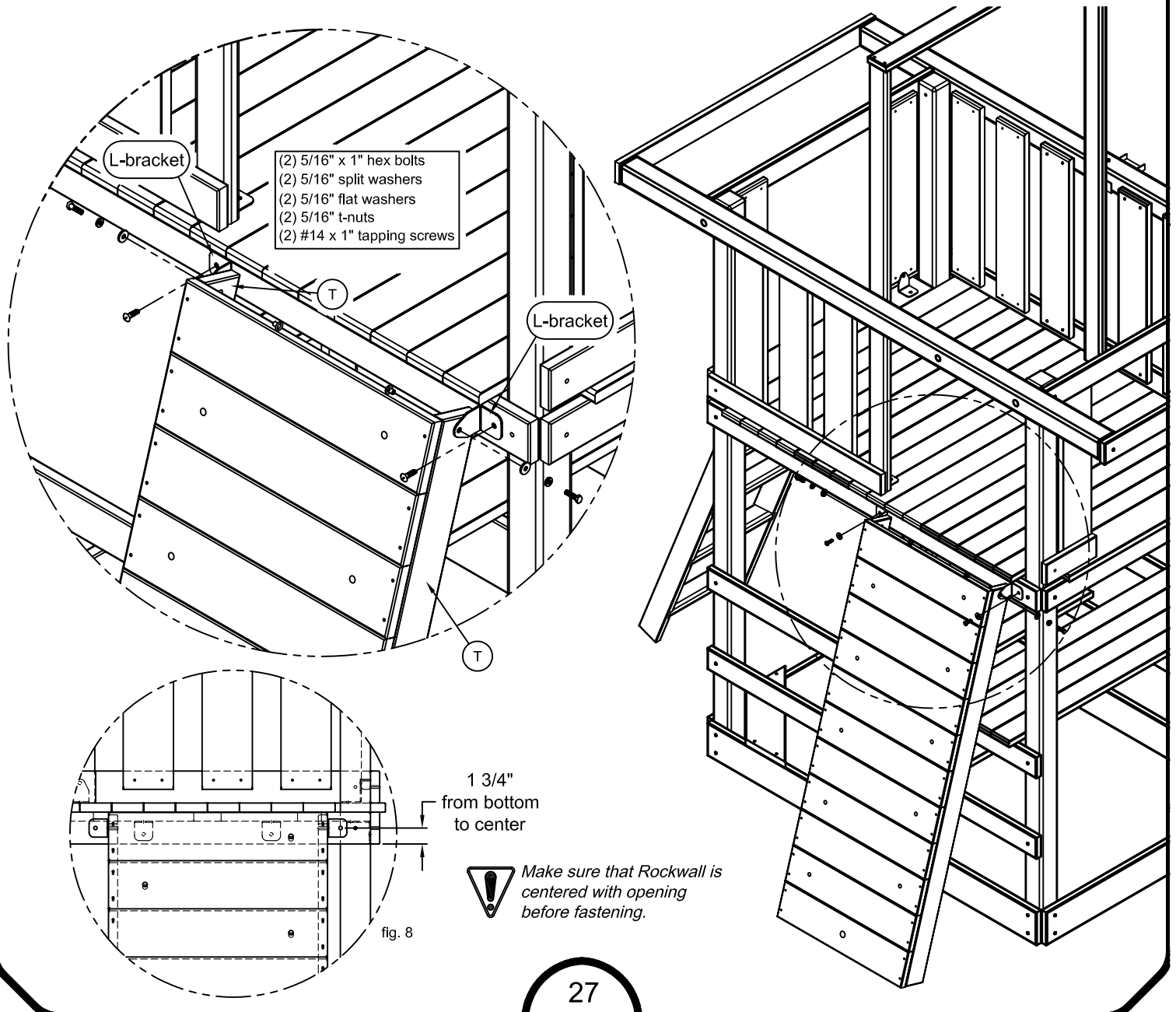


*Make sure and alternate item U 180° as they are fastened.*

Gather Items:  
(2) L-brackets

**Step 1: Install Rockwall:**

Fasten L-brackets to items T using 5/16" x 1" hex bolts. Next, center Rockwall with opening and fasten L-brackets using 1 3/4" dimension (fig. 8) with #14 x 1" tapping screws.



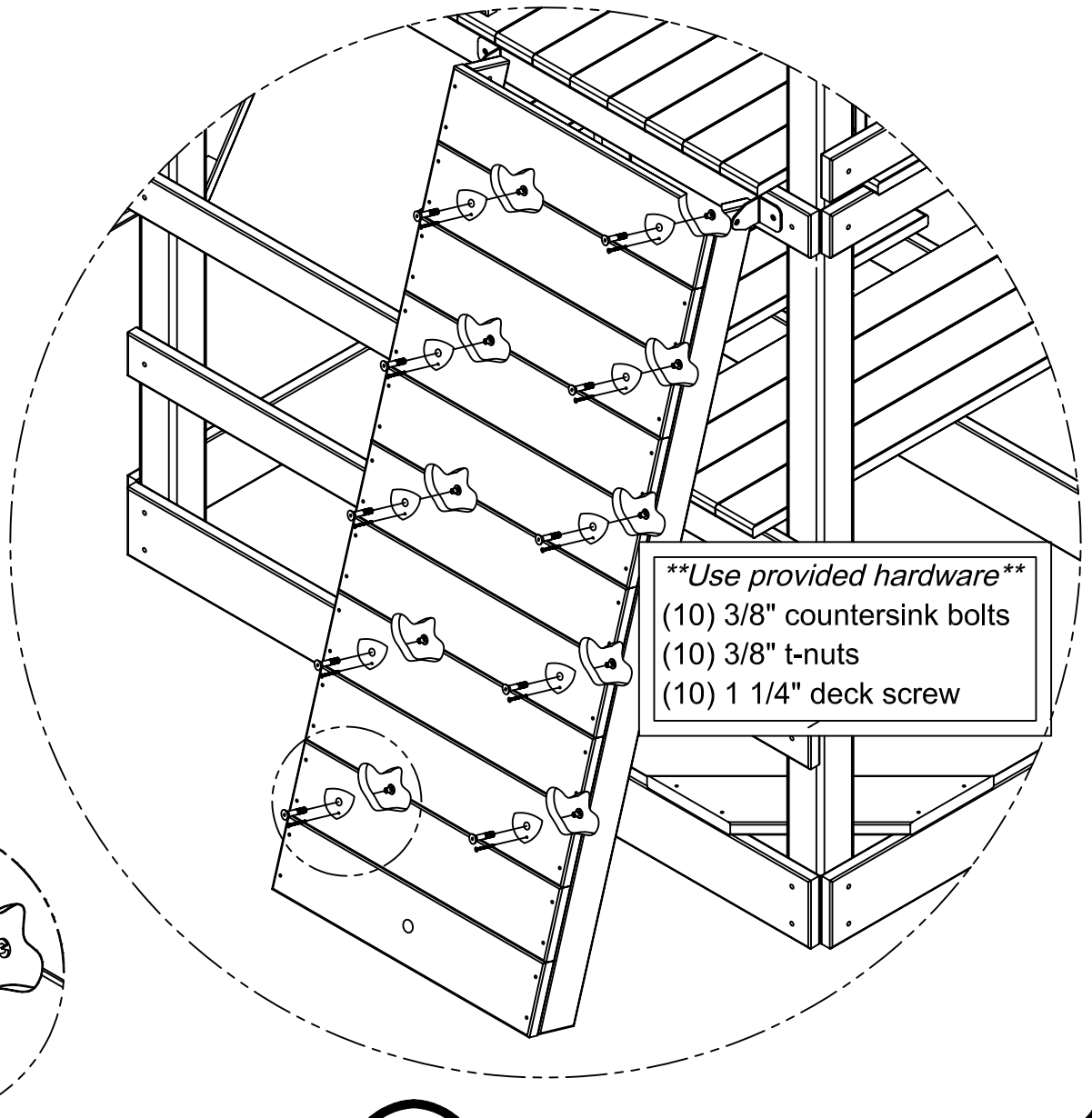
Gather Items:

(1) Bag Climbing Rocks 10 ct. w/ hardware

Step 1: Install Rocks:

From the backside of Rockwall, insert 3/8" t-nuts into pre-drilled holes and lightly hammer them in. Next, place Rock against Rockwall and fasten using 3/8" countersink bolt and 1 1/4" deck screw (fig. 9).

**\*\*Use included hex wrench to tighten 3/8" countersink bolts.\*\*** Repeat procedure for remaining Rocks.

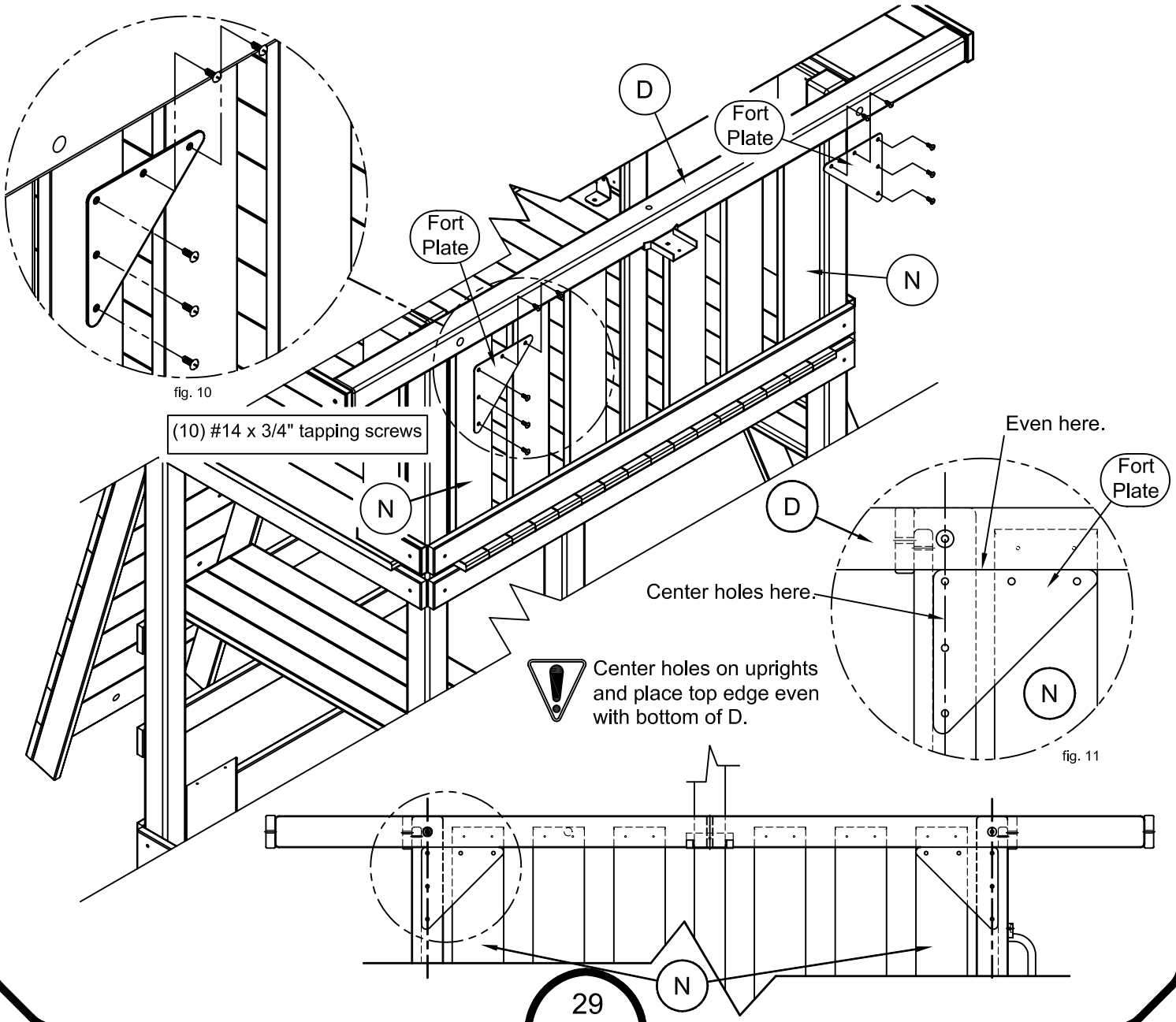


**\*\*Use provided hardware\*\***  
 (10) 3/8" countersink bolts  
 (10) 3/8" t-nuts  
 (10) 1 1/4" deck screw

fig. 9

### Step 1: Install Fort Plates:

On the side opposite the Rockwall, place Fort plate against uprights with holes centered and the top edge even with the bottom of D (see fig. 11). Fasten Fort Plates using #14 x 3/4" tapping screws.





Gather Items:

- (1) Steering Wheel Assembly
- (1) Telescope Assembly

Step 1: Installing Telescope:

First, choose a spot on item E where you'd like to place the Telescope. Center the Telescope on item E as shown in (fig. 12) and position flanges around Telescope Base. Once positioned, fasten to E using #14 x 1" tapping screws (fig 13).

Step 2: Installing Steering Wheel:

Place Steering Wheel centered (left to right) on item O and centered (up and down) with item D. Next, insert Bushing/Sleeve into Steering Wheel and fasten using a 5/16" x 2 1/2" lag screw. Finally, insert Cap into Bushing and listen for the snap (fig. 14) or push cap until it bottoms out (fig. 15).

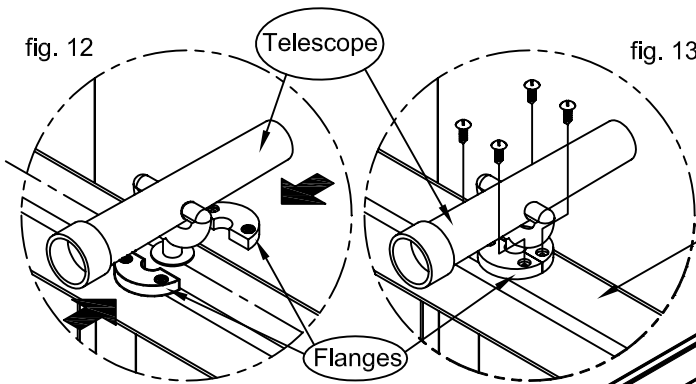
(4) #14 x 1" tapping screws



Make sure Steering Wheel is centered with items D and O.

fig. 12

fig. 13



There are 2 configurations of Steering Wheel, use the detail that corresponds to you.

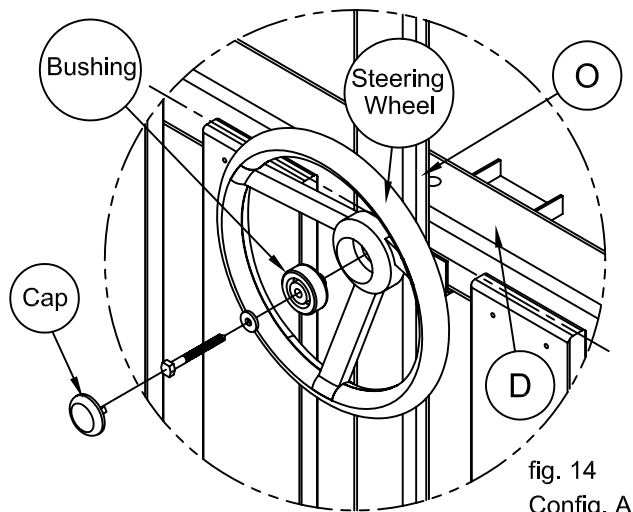


fig. 14  
Config. A

- (1) 5/16" x 2 1/2" lag screw
- (1) 1/4" flat washer

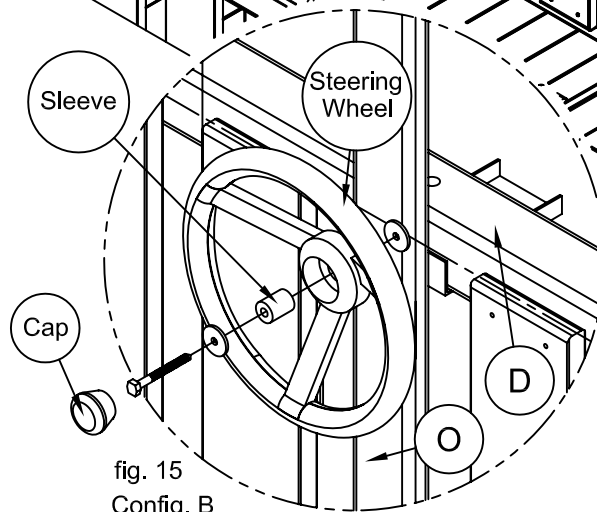


fig. 15  
Config. B

- (1) 5/16" x 2 1/2" lag screw
- (2) 5/16" fender washers

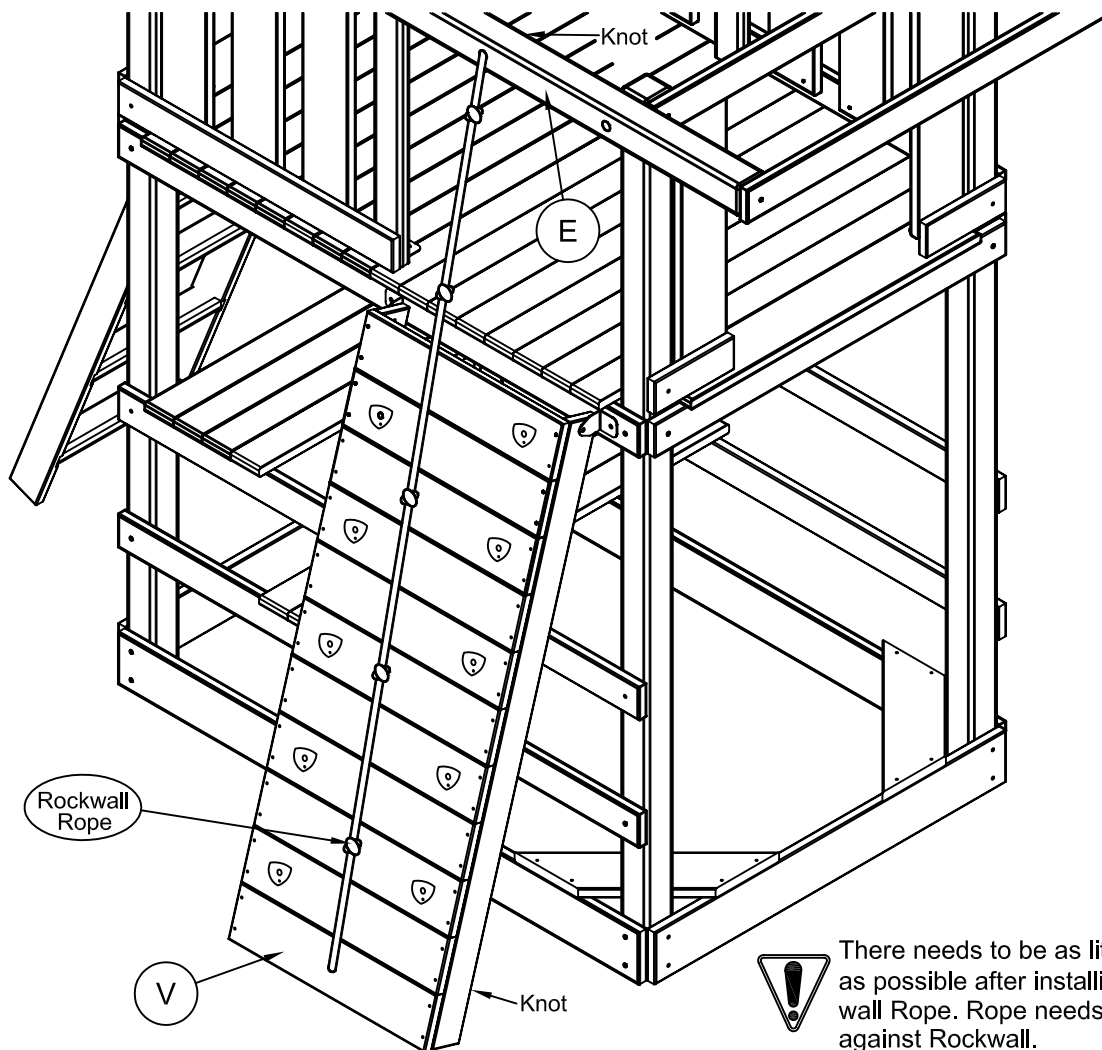
Gather Items:  
(1) Rockwall Rope

### Step 1: Preparing Rockwall Rope:

Beginning with the middle of the rope, tie a knot and check to see that it's tight. Next, tie knots on both sides of the first knots at approximately 16" centers (see fig. 16). **\*\*Leave ends of rope open.\*\***

### Step 2: Installing Rockwall Rope:

Insert one of the open ends of Rockwall Rope through hole in item V and the other end through hole in item E and adjust it so that the knots are positioned as desired. Tie knots behind items E and V and cut off excess rope. **\*\*It is imperative that you have the least amount of slack possible after installing Rockwall Rope. Rope needs to be tight against Rockwall.\*\***



There needs to be as little slack as possible after installing Rockwall Rope. Rope needs to be tight against Rockwall.

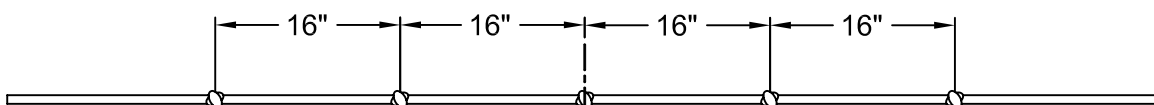


fig. 16

# Phase 18 A-frame Assembly

Gather Items:

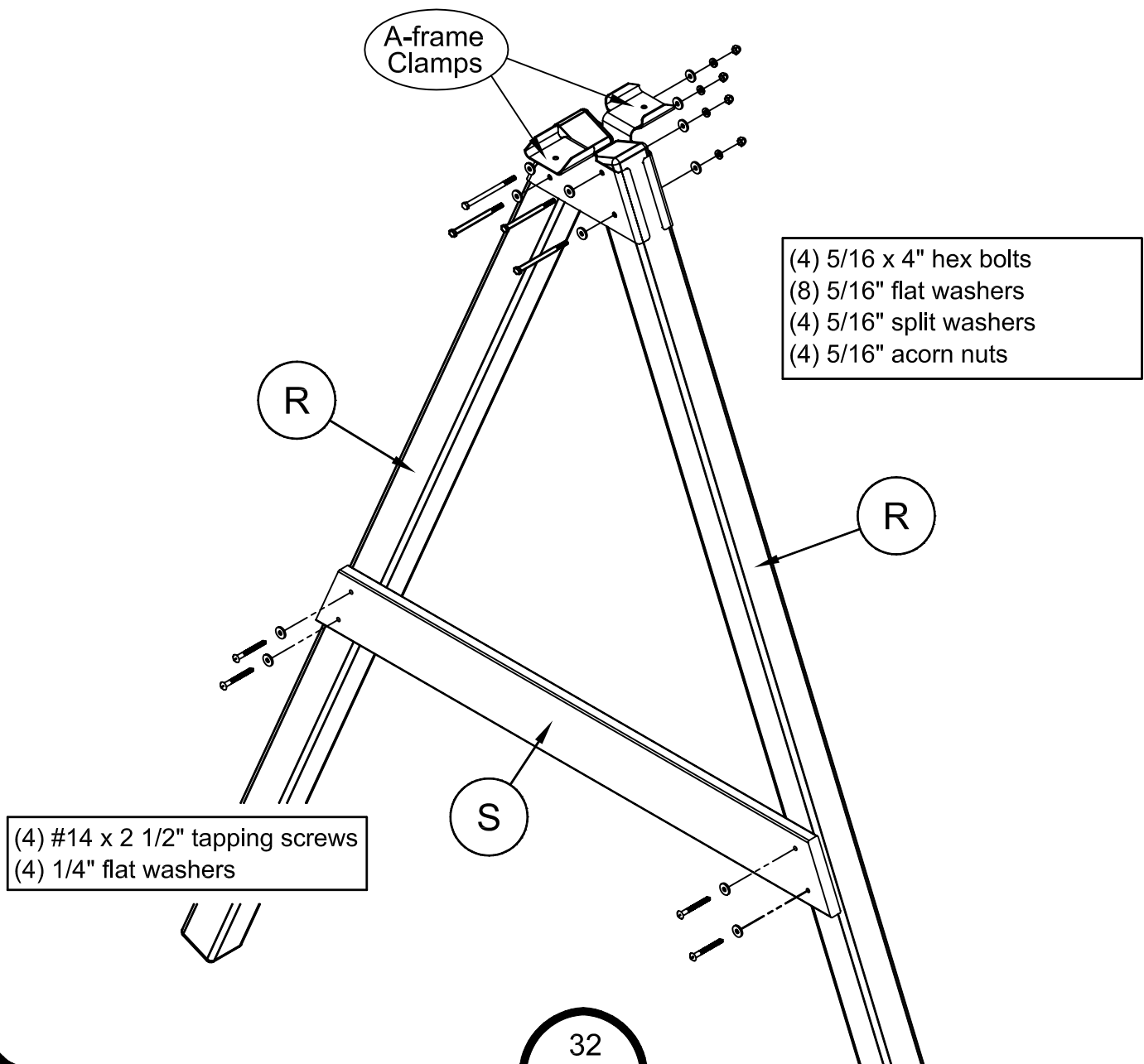
- (2) R - 4x4x096 A-frame Beam
- (1) S - 5/4x6x051 3/8 A-frame Cross Brace
- (1 pair) A-frame Clamps

Step 1: Building A-frame:

Take A-frame Clamps and place on items R (as shown), line up holes and fasten using 5/16" x 4" hex bolts.

Step 2: Installing Cross Brace:

With the A-frame laying on the ground, place item S on items R (*opposite the side with the acorn nuts*) and position it so that ends of S are flush with the outsides of items R. Fasten using #14 x 2 1/2" tapping screws.



Gather Items:

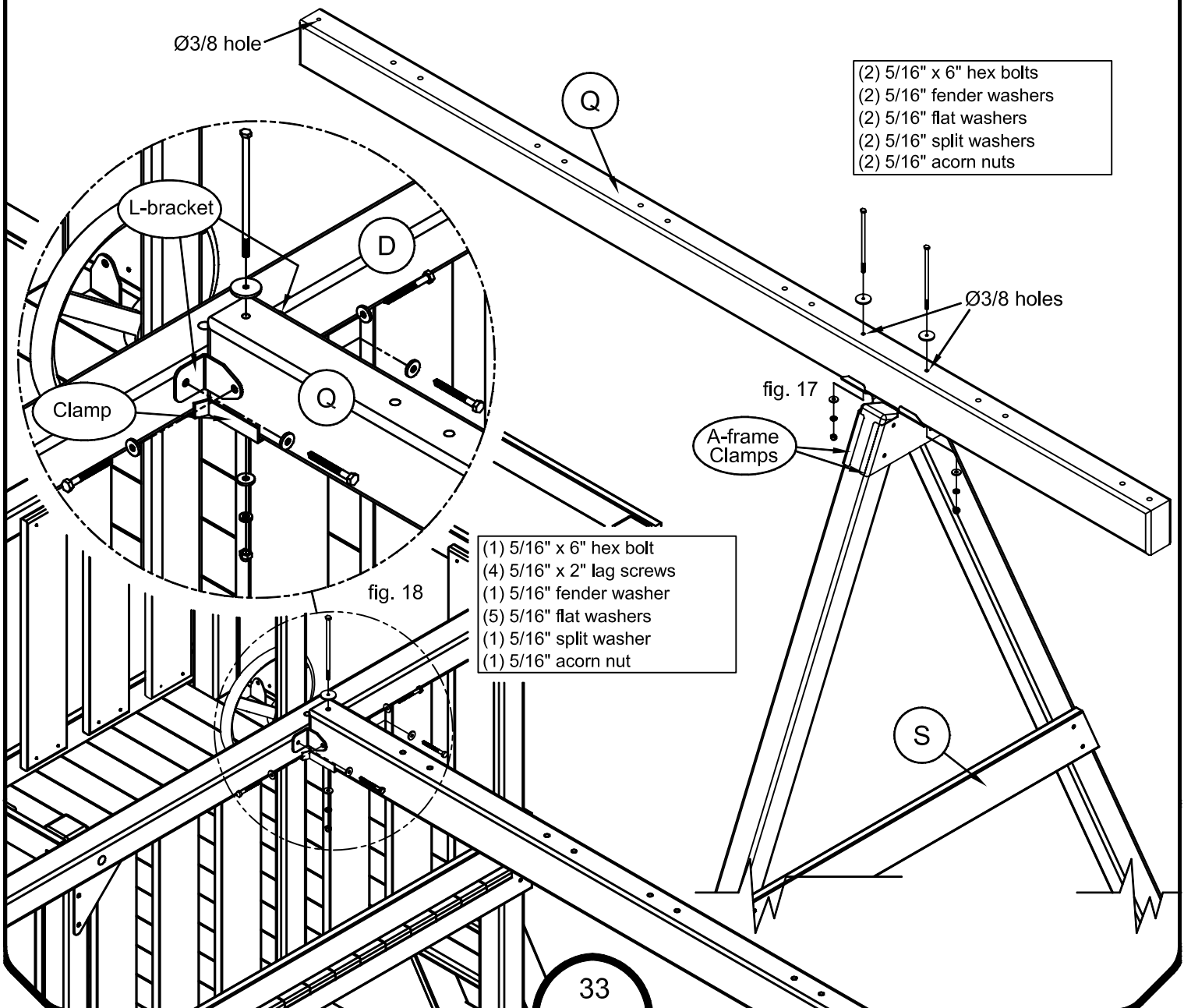
- (1) Q - 4x6x118 Single Beam Top Beam (Green)
- (2) L-bracket

Step 1: Attaching Beam to A-frame:

Rest item Q on top of A-frame Clamps and fasten using 5/16" x 6" hex bolts as shown (fig. 17). **\*\*Note the orientation of item S in relation to item Q. Also, notice which holes on Q are used to fasten A-frame.**

Step 2: Installing Single Beam Assembly:

Rest item Q on top of Clamp Std. and fasten using 5/16" x 6" hex bolt. Next, place L-brackets against items D and Q (as shown below) with tops of L-brackets flush with top of item D and fasten using 5/16" x 2" lag screws (fig. 18).



Gather Items:

(1) Tarp

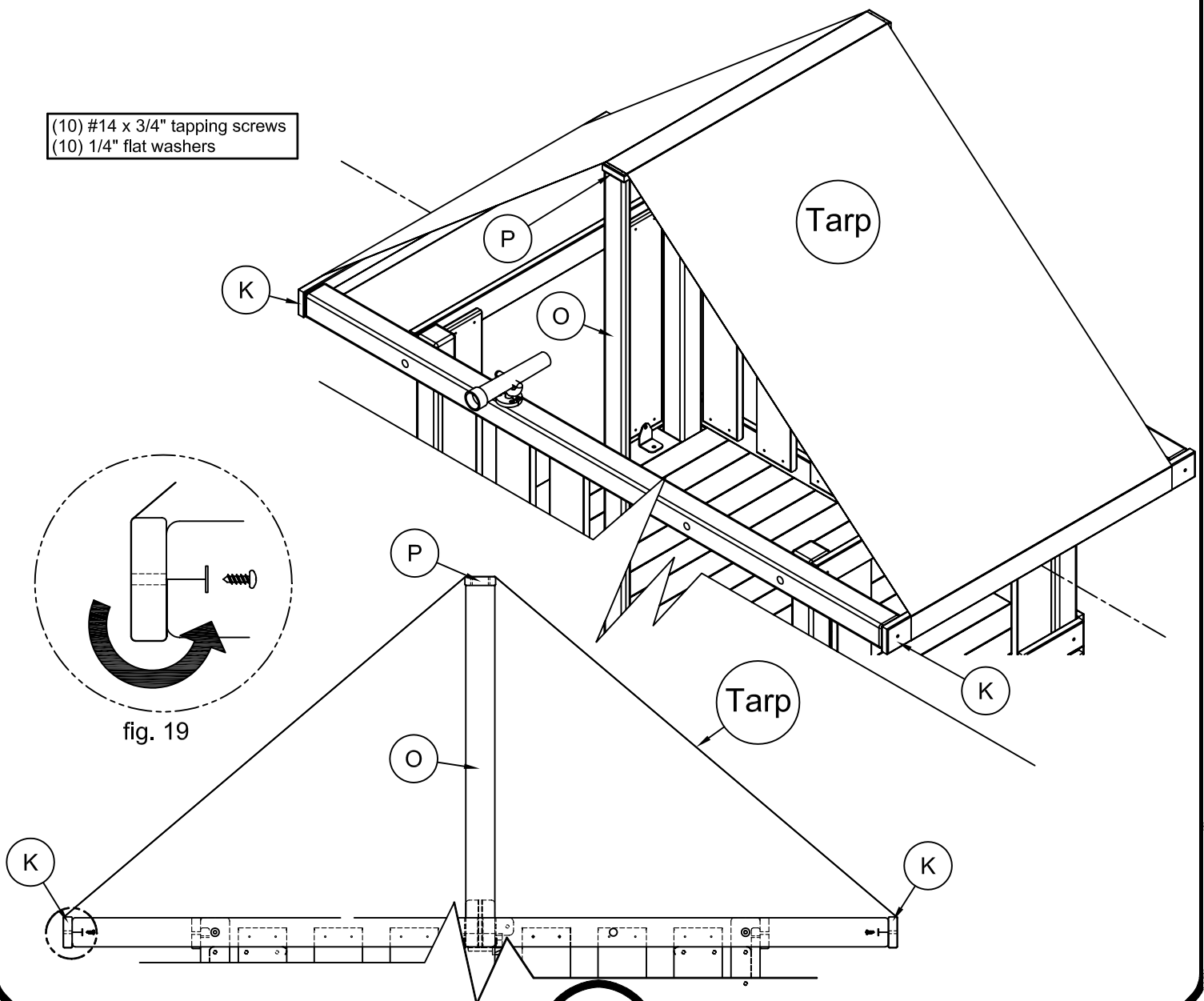
Step 1: Placing Tarp Roof:

Hang Tarp over item P and around items K so that the grommets are to the inside of fort (see fig. 19).

Step 2: Attaching Tarp Roof:

Make sure that Tarp is centered left to right and lengthwise and fasten using #14 x 3/4" tapping screws.

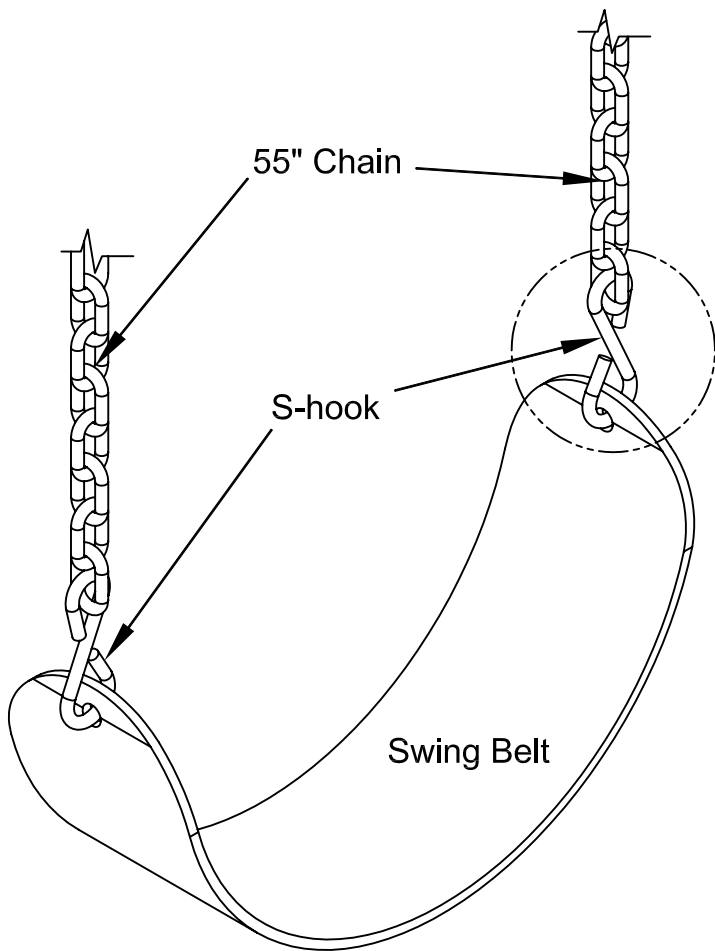
(10) #14 x 3/4" tapping screws  
(10) 1/4" flat washers



- Gather Items:  
 (2) Swing Belt  
 (4) 55" Chain  
 (4) S-hook

**Step 1: Assembling Swing:**

Insert the larger end of S-hooks into hole in Swing Belt and close as shown in fig 20. Next, insert opposite end of S-hooks through last link of 55" Chain and close, also shown in fig. 20. **\*\*For your child's safety, ensure that S-hooks are completely closed and that chains cannot pull off hooks.**

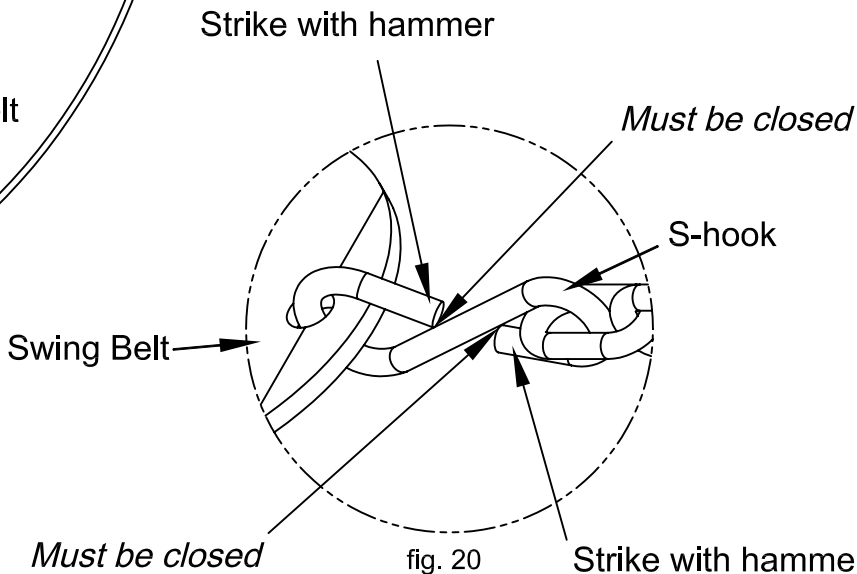


*It is not necessary to strike hard, constant striking on outside edge of S-hook will bend the metal.*



*For your child's safety, ensure hooks are completely closed and that chains cannot pull off hooks.*

Strike with hammer



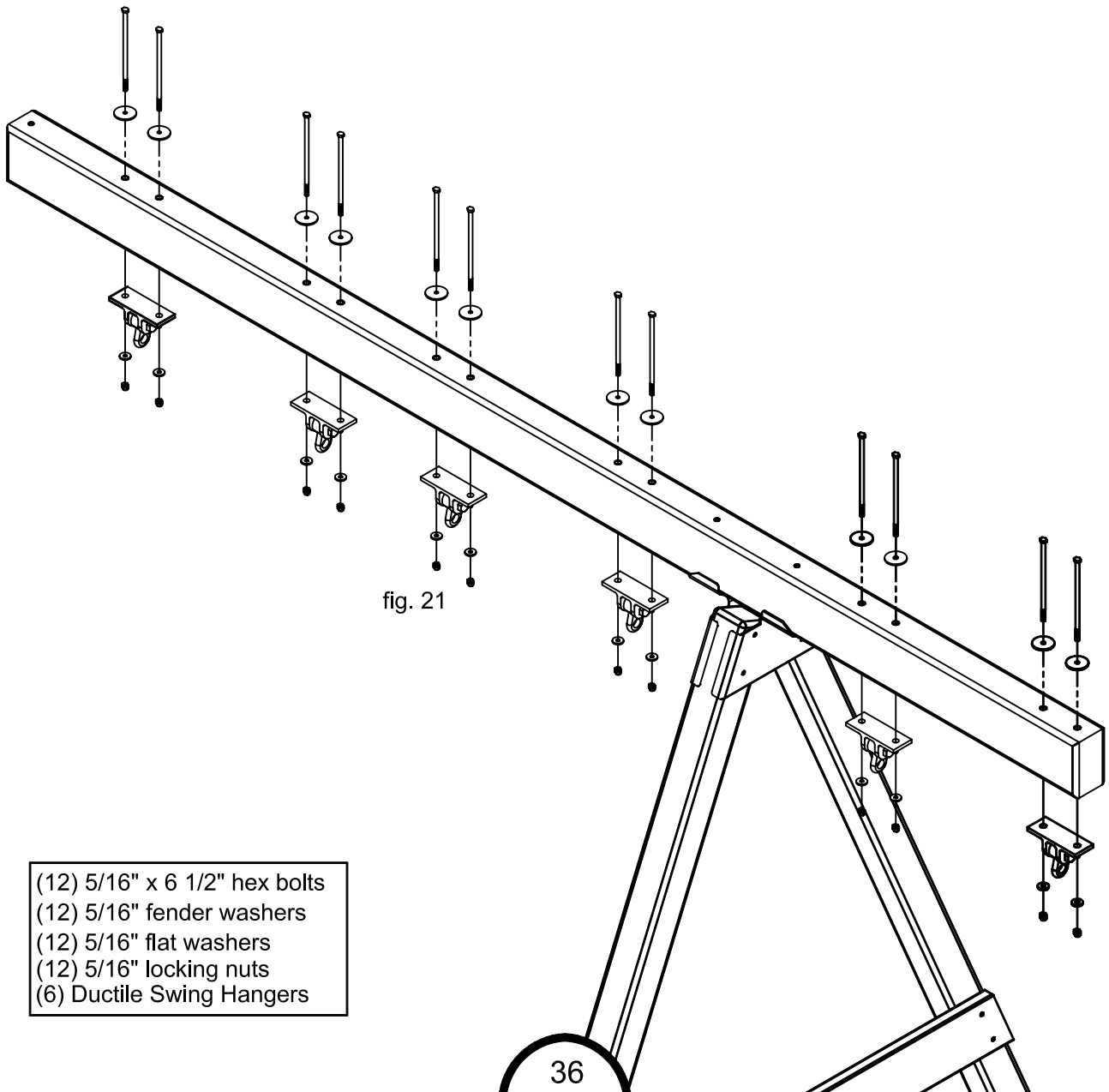
*The bigger end of S-hook attaches to belt.*

Gather Items:

(6) Ductile Swing Hanger

Step 1: Installing Ductile Swing Hanger:

Place (6) Ductile Swing Hangers and fasten as shown in fig. 21.



- (12) 5/16" x 6 1/2" hex bolts
- (12) 5/16" fender washers
- (12) 5/16" flat washers
- (12) 5/16" locking nuts
- (6) Ductile Swing Hangers

# Phase 23

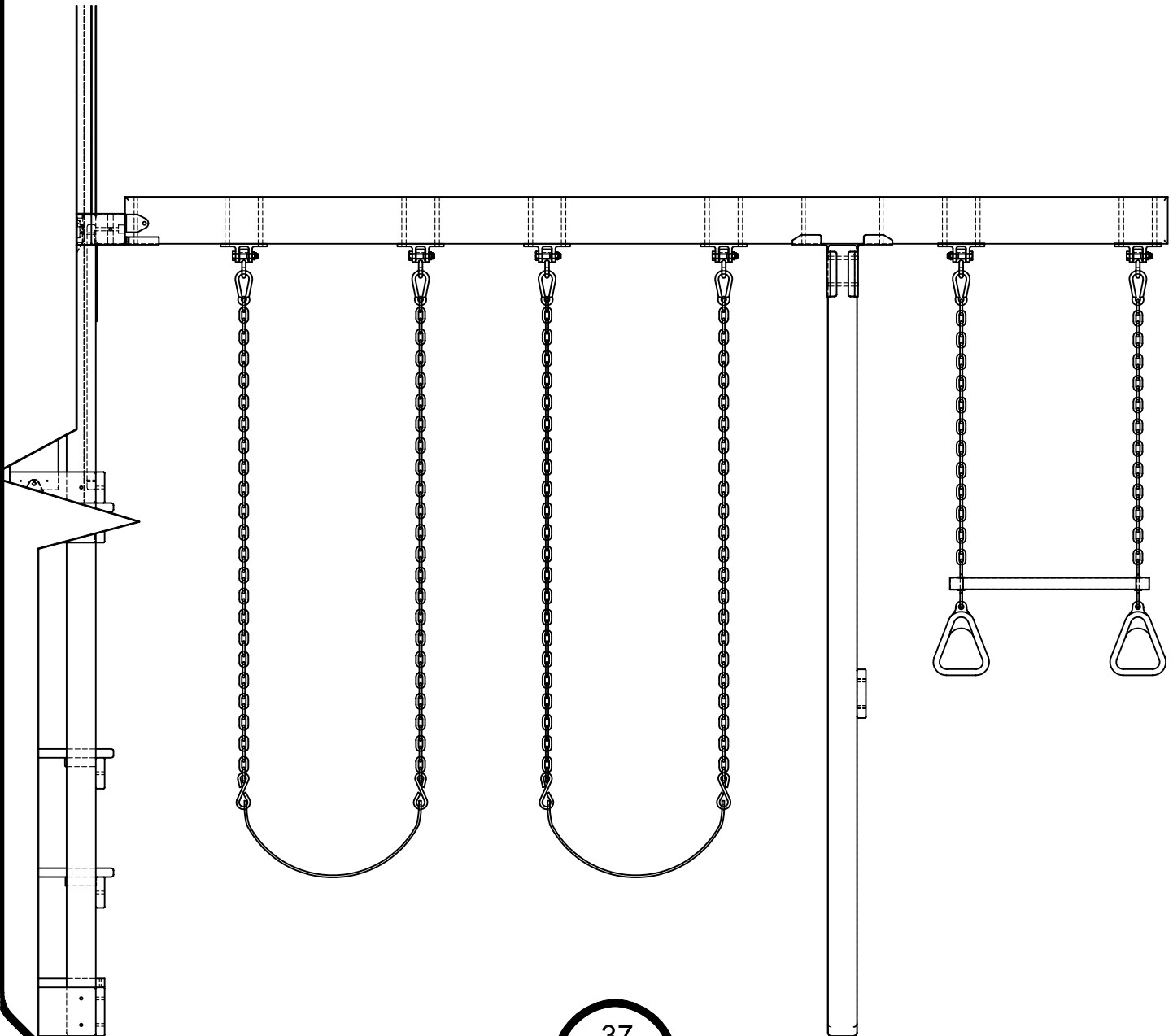
## Swing and Trapeze Installation

Gather Items:

- (6) Snap Links
- (2) Assembled Swings from Phase 21
- (1) Trapeze Assembly

Step 1: Hanging Swings and Trapeze:

Insert the last links of each swing and trapeze chain through Snap Links. Next, latch Snap Links on Ductile Swing Hangers from Phase 22 as shown below.





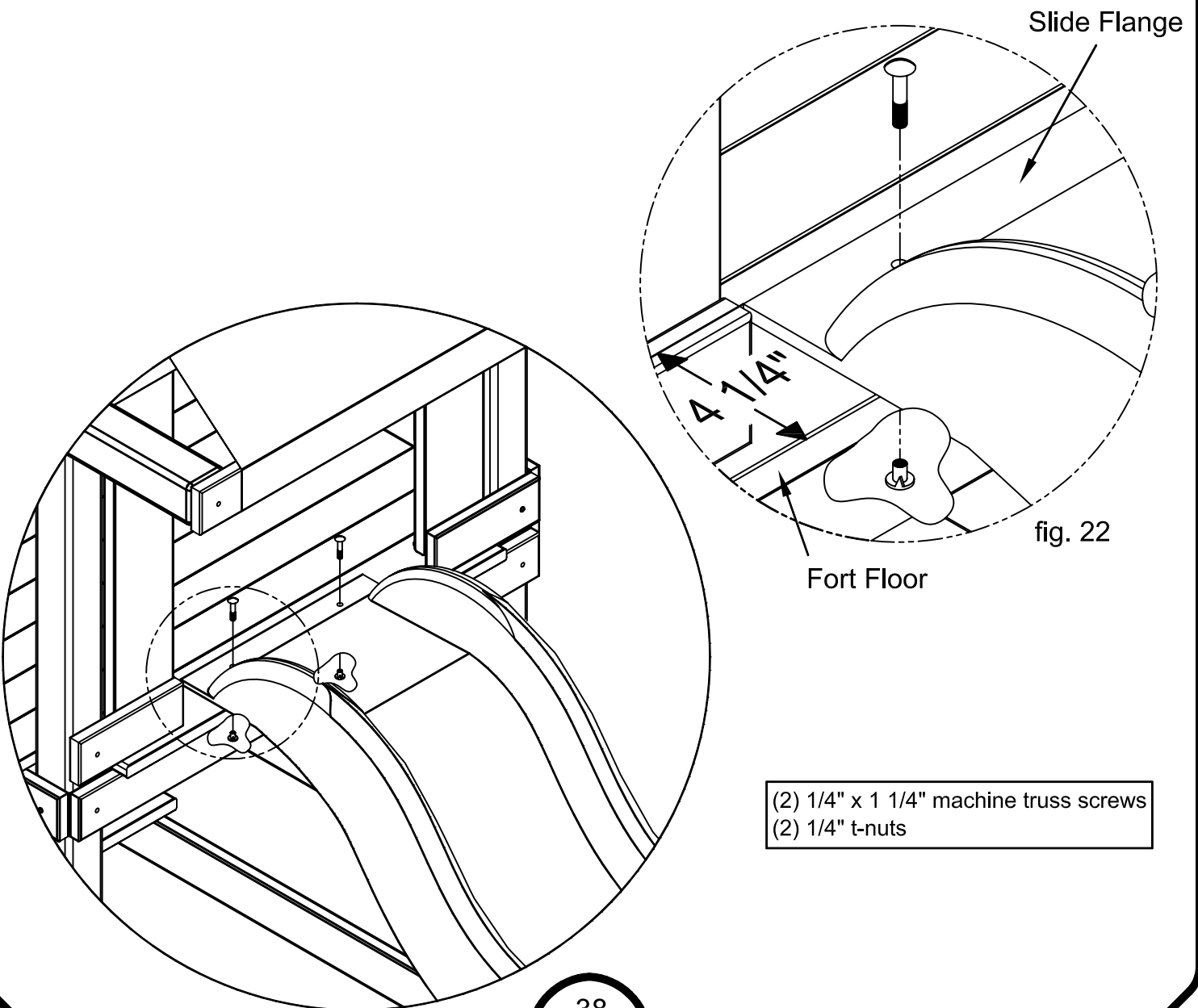
Gather Items:  
 (1) Wave Slide

Step 1: Preparing Slide:

Take an electric or cordless drill with a 1/4" drill bit and clean out holes in slide to allow better penetration of bolts.

Step 2: Installing Slide:

Rest Slide on fort floor centered and 4 1/4" from the rear of the Slide Flange to the outside of fort floor. Making sure that the slide is still centered and in position, use a 1/4" drill bit and drill through existing holes in slide flange and through fort floor. Insert 1/4" t-nuts through bottom of fort floor and attach slide using 1/4" x 1 1/4" machine truss screws (fig. 22).



Gather Items:

(1) Bag of Stakes (10 count)

Step 1: Anchoring Playset:

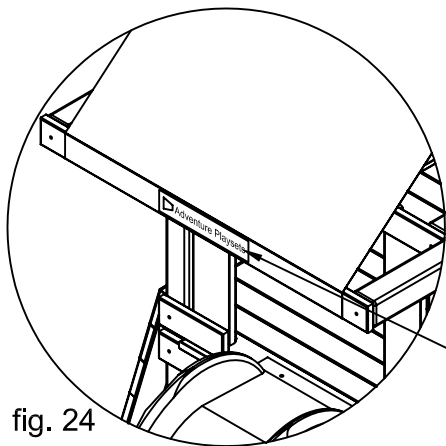
Drive stakes into ground where shown and attach using #14 x 1" tapping screws (fig. 23).

Step 2: Attaching Name Sticker:

Peel the backing off the *Adventure Playsets* ID Sticker and place where shown on Tarp front, centered (fig. 24).

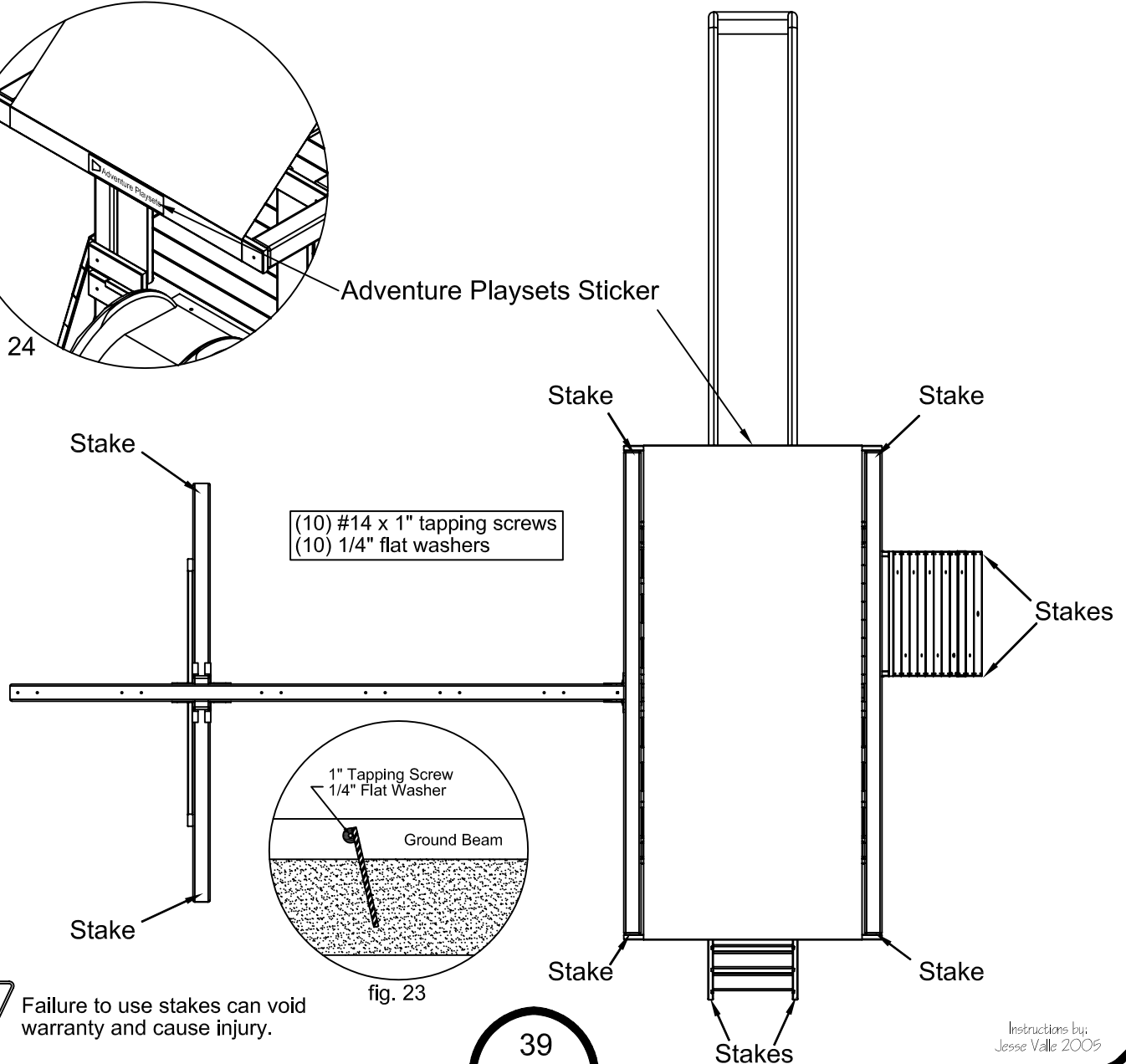
Final Step:

Double-check and make sure that every bolt, screw, and nut is tight, every board is secure and ENJOY!



Adventure Playsets Sticker

fig. 24



(10) #14 x 1" tapping screws  
(10) 1/4" flat washers

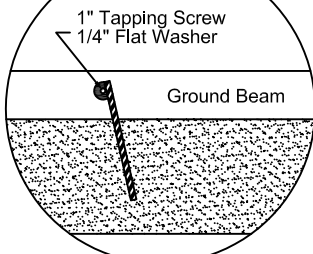


fig. 23



Failure to use stakes can void warranty and cause injury.

# Frequently Asked Questions

Q: What size of play area do you recommend around the playset so my child may play safe??

A: We recommend at least a six-foot play perimeter around the playset.

Q: My swing set seems to sway or rock too much. What is wrong?

A: Rocking has caused my uneven ground or obstructions such as rocks, roots, etc. under the ground rails. These obstructions should be removed and the ground underneath leveled to prevent rocking. If the fort itself is moving, it is usually caused because the fort is not staked down. Staking is required and will stop most of the movement.

Q: The end ladder is not straight up and down. What is wrong?

A: Nothing is wrong. The end ladder does not form a 90° angle. It has an angle to it.

Q: The S-hooks for my swings won't close. What is wrong?

A: The S-hook must be on a solid foundation when trying to close. It takes quite a few strokes, but the S-hook will close.

Q: The top ladder does not have holes for the swing hanger lags. Why not?

A: The top ladder is probably installed upside-down.

Q: My wood appears to be cracking. Is that a problem?

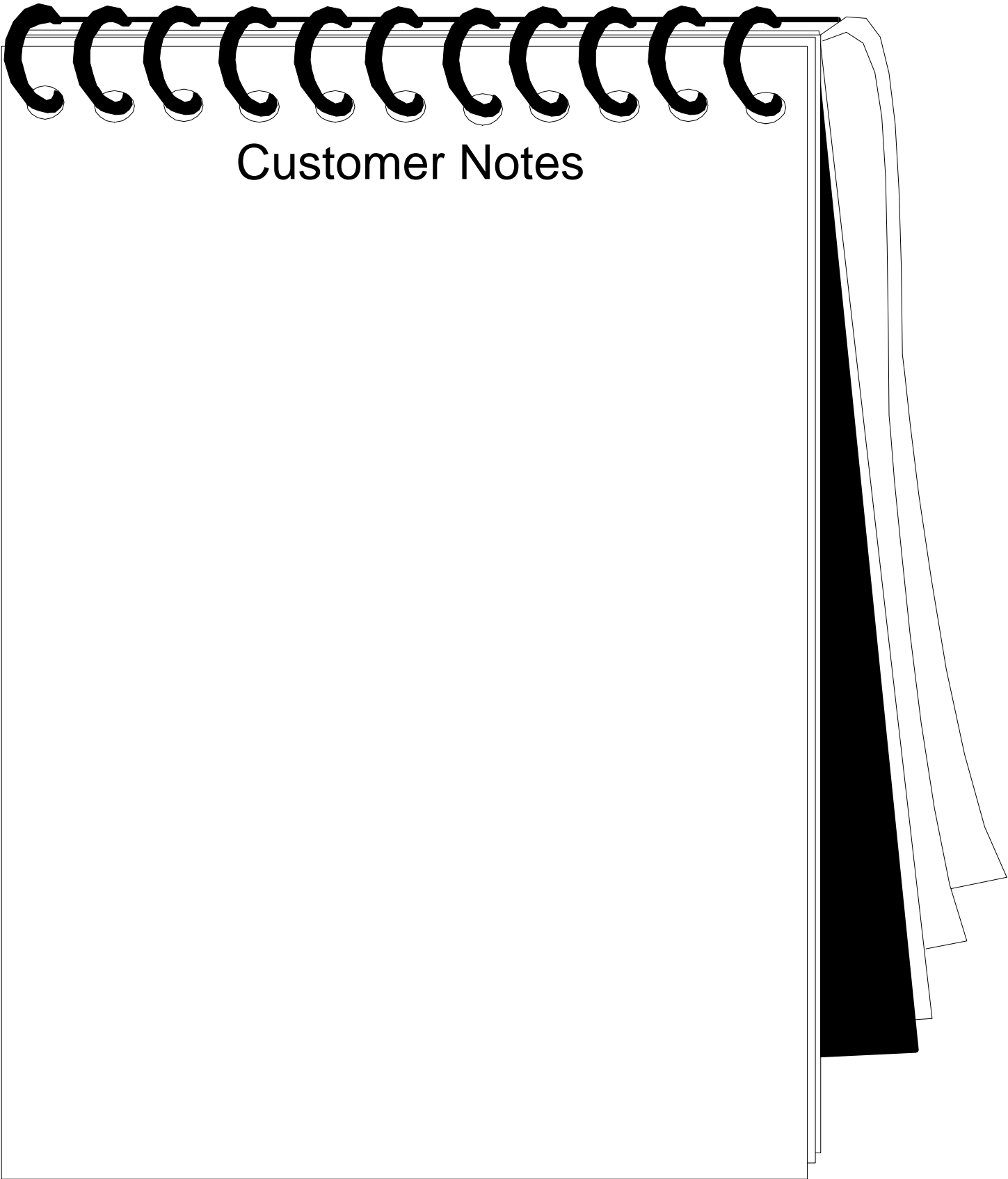
A: No, expansion and contraction of wood due to weather changes will cause slight cracking (technically called checking) and distortion. These are natural characteristics of wood and do not affect the structural integrity of the playset.

Q: My 2x4 boards do not measure 2"x4". Why not?

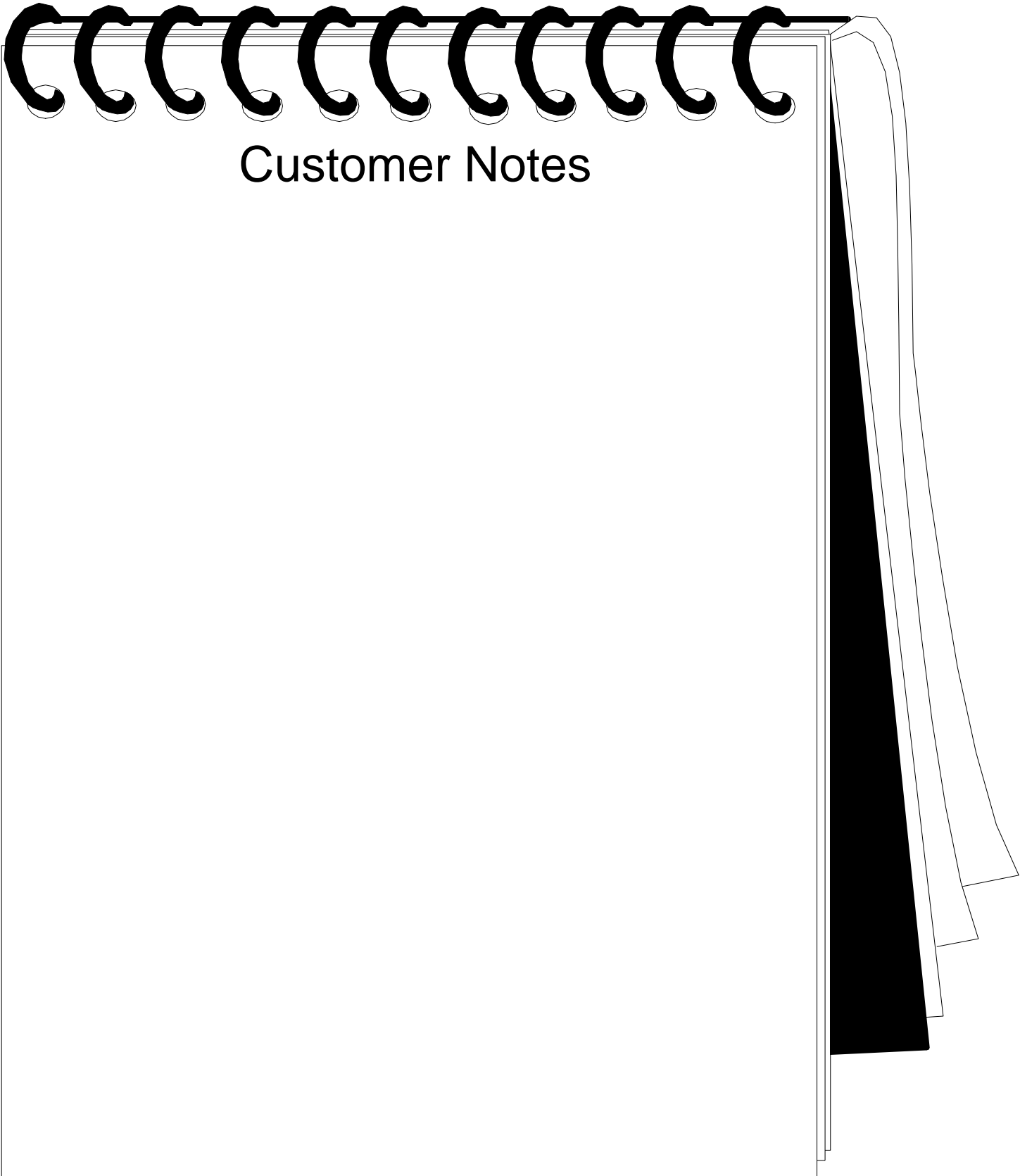
A: It has been common practice in the U.S. to use the rough-cut dimension from a sawmill to describe the width and height of a particular piece of lumber. Many retailers, designers, contractors and manufactures utilize this description with a common and accepted knowledge that the actual size will vary from this description. Our sets are designed using the actual dimension. This ensures the sets will be assembled properly and be safe for the recommended use.

Q: How often should I re-stain my playset and what should I use?

A: The playset should be checked at least once a year depending on the weather. Lightly sand any rough areas and re-stain the set with a waterborne transparent stain.



Customer Notes



Customer Notes

# Limited Warranty

Adventure Playsets Inc. insures to the original owner of our product, that the components of our set are free from defect in materials and will be warranted for one year from the date of purchase. In addition, all wooden components will be warranted against rot or insect damage for 12 Years to the original owner. All non-wood components will carry a one-year warranty only.

All defective parts that are discovered and reported in the first thirty days after purchase will be replaced at no charge to the registered customer. After thirty days of purchase shipping and handling charges for replacement warranty parts will be passed on to the consumer.

All returned goods will be accessed by our customer service department. We will not accept any goods without an authorization code. Our customer service department will give out all codes. Failure to supply authorization code with shipment will void all said warranty. Our customer service department can be reached at 1-800-856-4445.

## **This Limited Warranty does not cover the following:**

- The cost of labor required to re-install or disassemble the defective component.
- The cost of air freight
- The cost of freight after the initial 30 days from purchase.
- Cosmetic defects that do not affect the structural integrity of the play center.
- Any abnormal conditions such as vandalism, improper installation, misuse or abuse, or improper maintenance.
- Damage done by nature such as wind, lightning, severe weather, etc...
- Natural defects of wood such as warping checking or any other physical properties of wood that do not present a hazard.

Adventure Playsets products have been carefully designed to insure your child's safety. Any modifications to your playsystem could result in serious injury as well as void all warranties.

**Our playsets are designed for Residential use only, for children between the ages of 3 and 10, for a single-family dwelling. Commercial use such as nurseries, parks or schools, voids all warranties and liabilities.**

# Warranty claim procedure

If you are confident that your playsystem has been installed and maintained properly, and you have a warranty claim, proceed with the following steps:

1. We will need copy of your proof of purchase (Vendor sales receipt only.)
2. We require a brief written description of the warranty issue.
3. Photos of warranted parts and of the entire play system.

If **any** of the above steps are not completed, there may be delays in the completion of your claim, or possibly warranty cancellation.

Mail information to:

**Adventure Playsets  
14201 I-27  
Amarillo, Texas  
79119**

or email at

**[custservice@adventureplaysets.com](mailto:custservice@adventureplaysets.com)**

Our customer service department will review the claim and make contact with the customer by mail or by phone. The customer will only pay for shipping and handling to and from factory if warranty is approved.

**1-800-856-4445**

Service department hours Monday thru Friday 9am to 5pm

Saturday 9am to 2pm

Central standard time

# Customer Registration Card

Name: \_\_\_\_\_

Address: \_\_\_\_\_

City: \_\_\_\_\_ State: \_\_\_\_\_ Zip: \_\_\_\_\_

Home Phone \_\_\_\_\_

Date of Purchase \_\_\_\_\_

Vendor Name \_\_\_\_\_

City: \_\_\_\_\_ State: \_\_\_\_\_ Zip: \_\_\_\_\_

Unit Model: \_\_\_\_\_

Please check the boxes below:

How old are you?

18-30       31-43       44-56       Older than 56

How would you rate the quality of our product?

Above Average       Average       Fair       Poor

How would you rate the ease of assembly of our product?

Above Average       Average       Fair       Poor

How would you rate our instructions?

Above Average       Average       Fair       Poor

Would you recommend our product to friends & family?

Yes       No

How old are your children?

3-4       5-6       7-8       9-10

Where did you hear about us?

Friend       Store Display       Advertisement       Internet

Comments: \_\_\_\_\_

\_\_\_\_\_  
\_\_\_\_\_  
\_\_\_\_\_  
\_\_\_\_\_



# Customer Registration Card

**Do not forget to send in your registration card to the factory.  
This card will validate your time of purchase for warranty items.**

Fold here

---

**Place  
stamp  
here**

**Adventure Playsets  
14201 I-27  
Amarillo Texas, 79119**